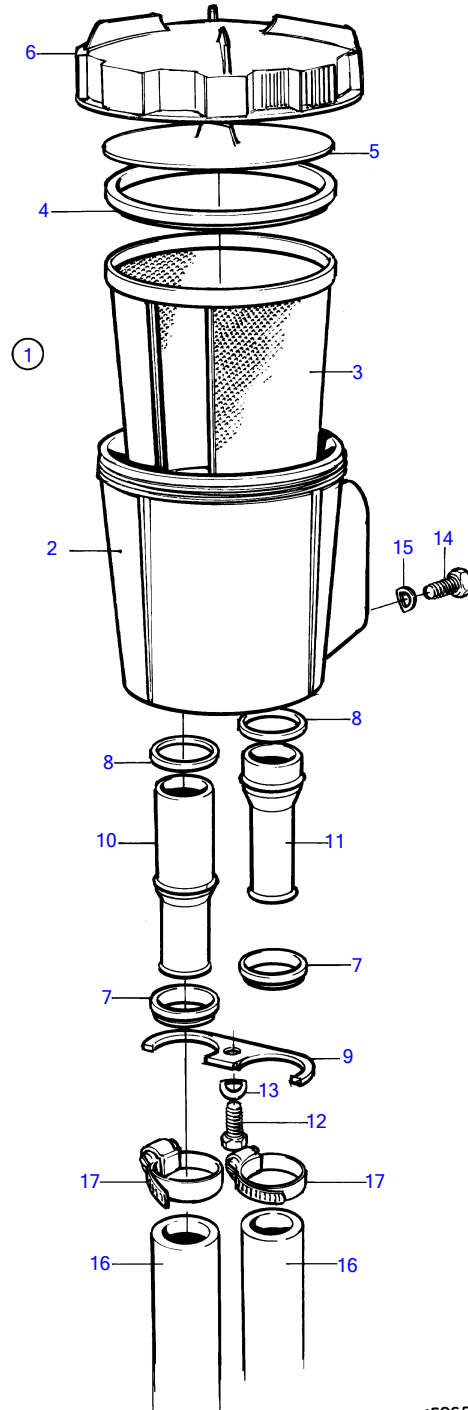


MD2010B, MD2020B, MD2030B, MD2040B



MD2010B, MD2020B, MD2030B, MD2040B

REF	PART NO.	QTY	DESCRIPTION	NOTES
1	21219693	1	Sea water filter	
2	842924	1	• Strainer	
3	842723	1	• • Strainer	
4	842724	1	• • Sealing	
5	842982	1	• • Pressure plate	
6	842722	1	• • Cover	
7	847108	2	• Pipe retainer	
8	858986	2	• Sealing ring	
9	21211745	1	• Retainer	
10	3888859	1	• Connection pipe	Inlet
11	3888862	1	• Connection pipe	Outlet
12	955270	1	• Hexagon screw	
13	941906	1	• Spring washer	
14	965215	4	• Flange screw	(955296)
15	941907	4	• Spring washer	
16	952970	X	Hose	
17	961666	X	Hose clamp	