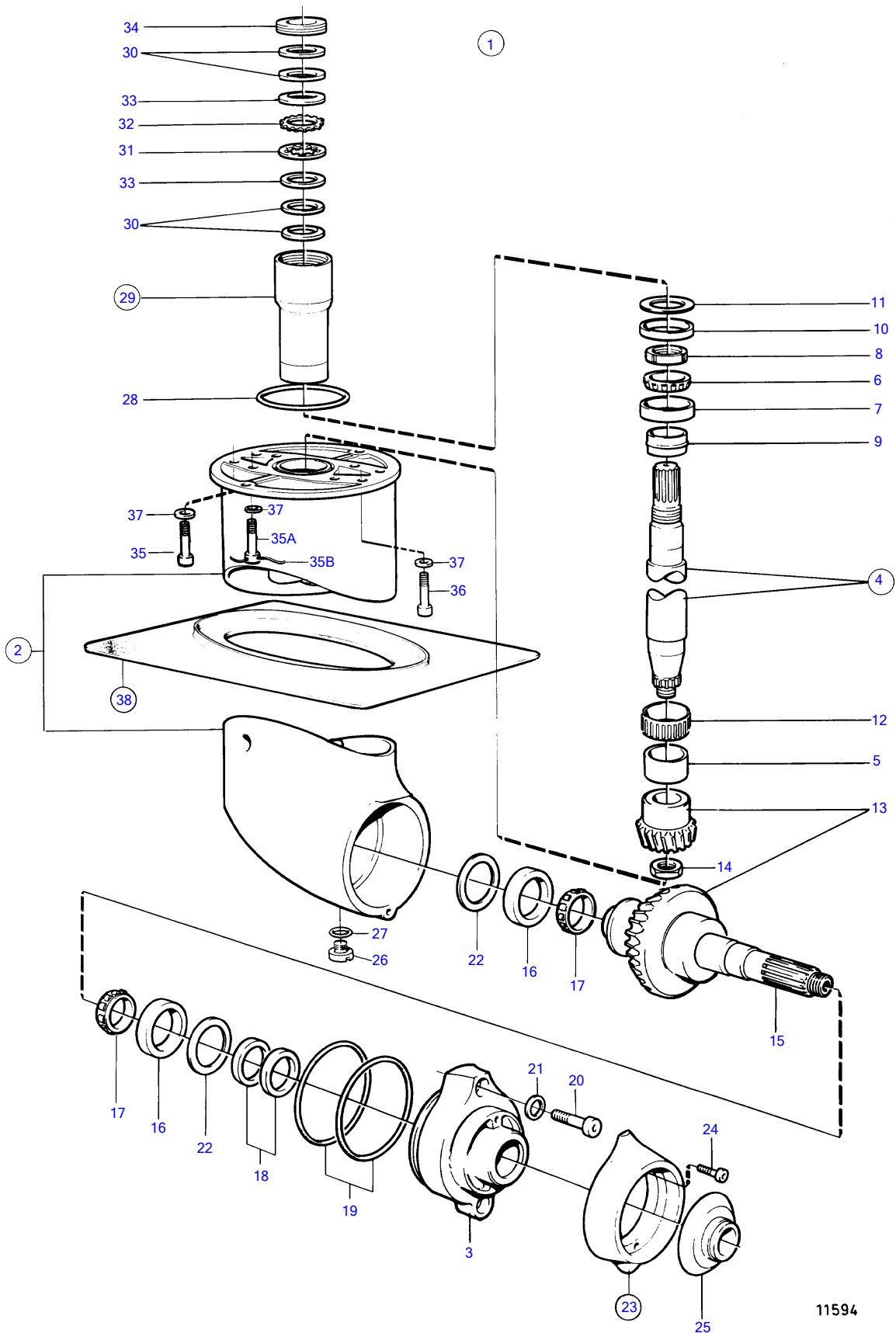


120S-D



11594

## 120S-D

| REF | PART NO. | QTY | DESCRIPTION            | NOTES   |
|-----|----------|-----|------------------------|---|
| 1   | 3856832  | 1   | Gear housing           | Ratio 2.5:1 (873089)  |
| 2   | 3856833  | 1   | • Gear housing         | (873090)  |
| 3   | 873127   | 1   | • • Bearing housing    |   |
| 4   | 852484   | 1   | • Countershaft         |   |
| 5   |          | 1   | • • Ring               |   |
| 6   | 183752   | 2   | • Cone                 |   |
| 7   | 183750   | 2   | • Cup                  |   |
| 8   | (852485) | 1   | • Lock nut             | Obsolete part   |
| 9   | 851974   | 1   | • Pretensioning sleeve |   |
| 10  | 852162   | 1   | • Spacer sleeve        |   |
| 11  | 948298   | X   | • Shim                 | TH=0.10mm   |
|     | 948299   | X   | • Shim                 | TH=0.15mm   |
|     | 948300   | X   | • Shim                 | TH=0.35mm   |
|     | (948303) | X   | • Shim                 | TH=1,00mm, Obsolete part                                      |
| 12  | 852508   | 1   | • Needle bearing       |   |
| 13  | 873061   | 1   | • Gear set             |   |
| 14  | 850981   | 1   | • Nut                  |   |
| 15  | 851652   | 1   | • Propeller shaft      |   |
| 16  | 181587   | 2   | • Cup                  |   |
| 17  | 181588   | 2   | • Inner ring           |   |
| 18  | 873108   | 2   | • Sealing ring         |   |
| 19  | 925256   | 2   | • O-ring               |   |
| 20  | 946541   | 2   | • Hex. socket screw    |   |
| 21  | 897871   | 2   | • Shim                 |   |
| 22  | 851980   | X   | • Adjusting washer     | TH=0.10mm   |
|     | 851981   | X   | • Adjusting washer     | TH=0.15mm   |
|     | 851982   | X   | • Adjusting washer     | TH=0.35mm   |
|     | 949074   | X   | • Shim                 | TH=0,50mm   |
| 23  | 876286   | 1   | • Zinc ring kit        |   |
| 24  | 949823   | 2   | • Cross recessed screw |   |
| 25  | 851984   | 1   | • Guard plate          |   |
| 26  | 852904   | 1   | • Magnetic plug        |   |
| 27  | 955974   | 1   | • O-ring               |   |
| 28  | 925256   | 1   | O-ring                 | Included in mounting kit 854934., Included in complete drive. |
| 29  | 852724   | 1   | Splined sleeve         | Included in complete drive.                                   |
| 30  | 852081   | 4   | • Disc spring          |   |
| 31  | 852084   | 18  | • Disc                 |   |
| 32  | 852522   | 17  | • Disc                 |   |
| 33  | 852083   | 2   | • Thrust washer        |   |
| 34  | 852094   | 1   | • Adjusting screw      |   |
| 35  | 963699   | 4   | Hex. socket screw      | Included in complete drive., L=40mm                           |
| 35A | 851860   | 4   | Hex. socket screw      | L=40mm  |
| 35B | 852669   | X   | Locking wire           | L=700mm   |
| 36  | 963703   | 2   | Hex. socket screw      | Included in complete drive., L=60mm                           |
| 37  | 897511   | 10  | Washer                 | Included in complete drive.                                   |
| 38  | 854932   | 1   | Mounting kit           | Included in complete drive.                                   |