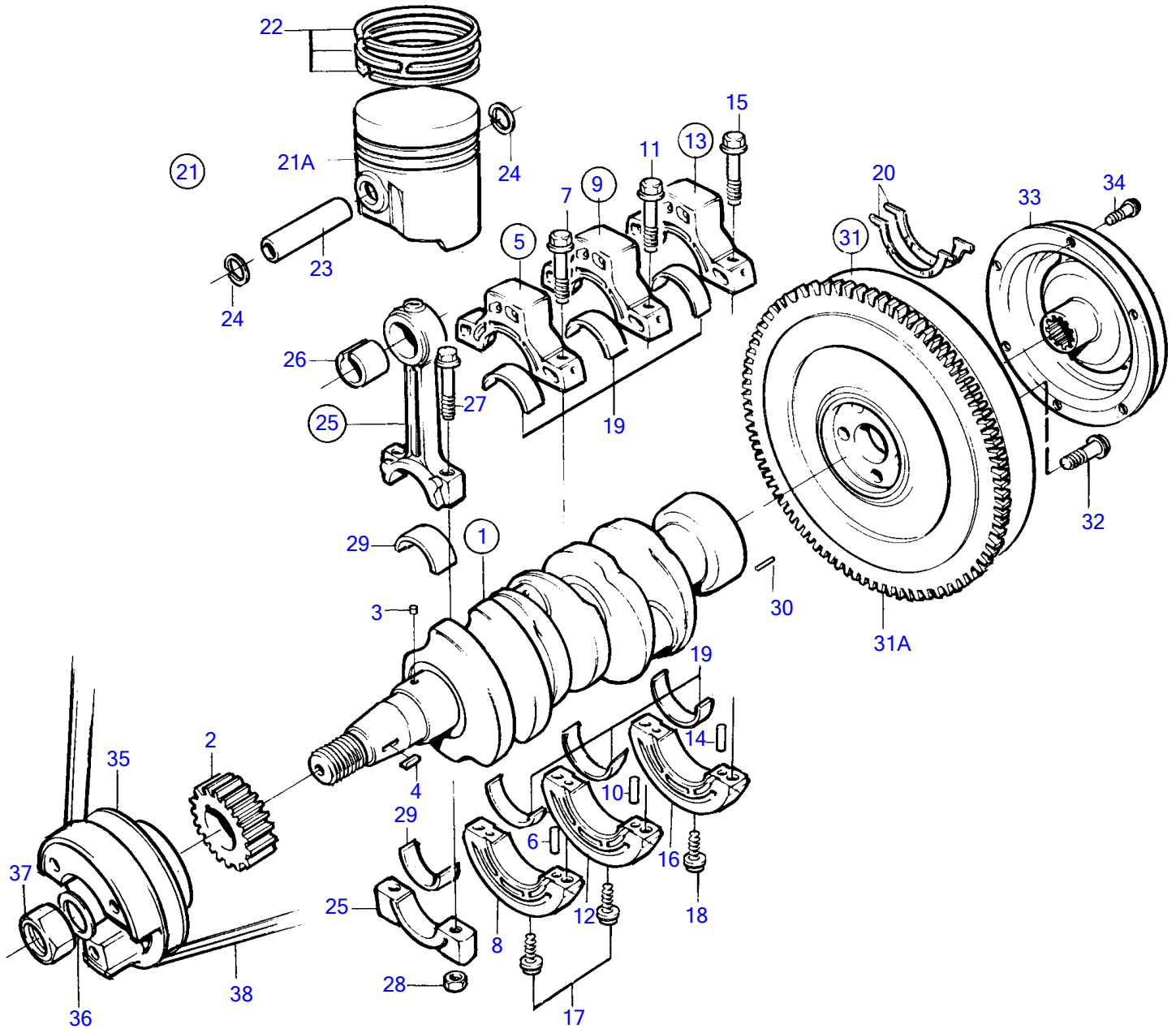


MD2040A



16206

MD2040A

REF	PART NO.	QTY	DESCRIPTION	SEE SEC.	NOTES
1	3580531	1	Crankshaft		
2	3580532	1	• Gear		
3	861934	1	• Key		
4	861969	1	• Woodruff key		
5		1	Retainer		
6		2	• Pin		
7	3580534	2	• Screw		
8		1	• Retainer		
9		1	Retainer		
10		2	• Pin		
11	3580534	2	• Screw		
12		1	• Retainer		
13		1	Retainer		
14		2	• Pin		
15	3580534	2	• Screw		
16		1	• Retainer		
17	3580544	2	Screw		
18	3580545	2	Screw		
19	876663	1	Main bearing kit		Std D
	876664	1	Main bearing kit		U.S=0,25mm
	876665	1	Main bearing kit		U.S=0,50mm
20	3580543	2	Thrust washer		
21	876695	3	Piston kit		Std D
	876817	3	Piston kit		O.S=0.50mm
21A	3580548	3	• Piston kit		Std D
21		3	• Piston kit		O.S=0.50mm
22	3580546	3	• • Piston ring kit		Std D
	3580547	3	• • Piston ring kit		O.S=0.50mm
23	3580550	3	• Piston pin		
24	3580551	6	• Lock ring		
25	3580552	3	Connecting rod		
26	3580553	3	• Bushing		
27	3580554	6	• Screw		
28	3580555	6	• Nut		
29	876685	1	Big-end bearing kit		Std D
	876686	1	Big-end bearing kit		U.S=0,25mm
	876687	1	Big-end bearing kit		U.S=0,50mm
30	3580352	1	Locating pin		
31	3580559	1	Flywheel		
31A	3580560	1	• Gear ring		
32	3580561	6	Screw		
33	872809	1	Vibration damper		Use together with drive unit 120S and MS2L
34	861975	6	Screw		
35	3580562	1	Pulley		
36	3580564	1	Washer		
37	3580563	1	Nut		
38		1	Drive belt	198	