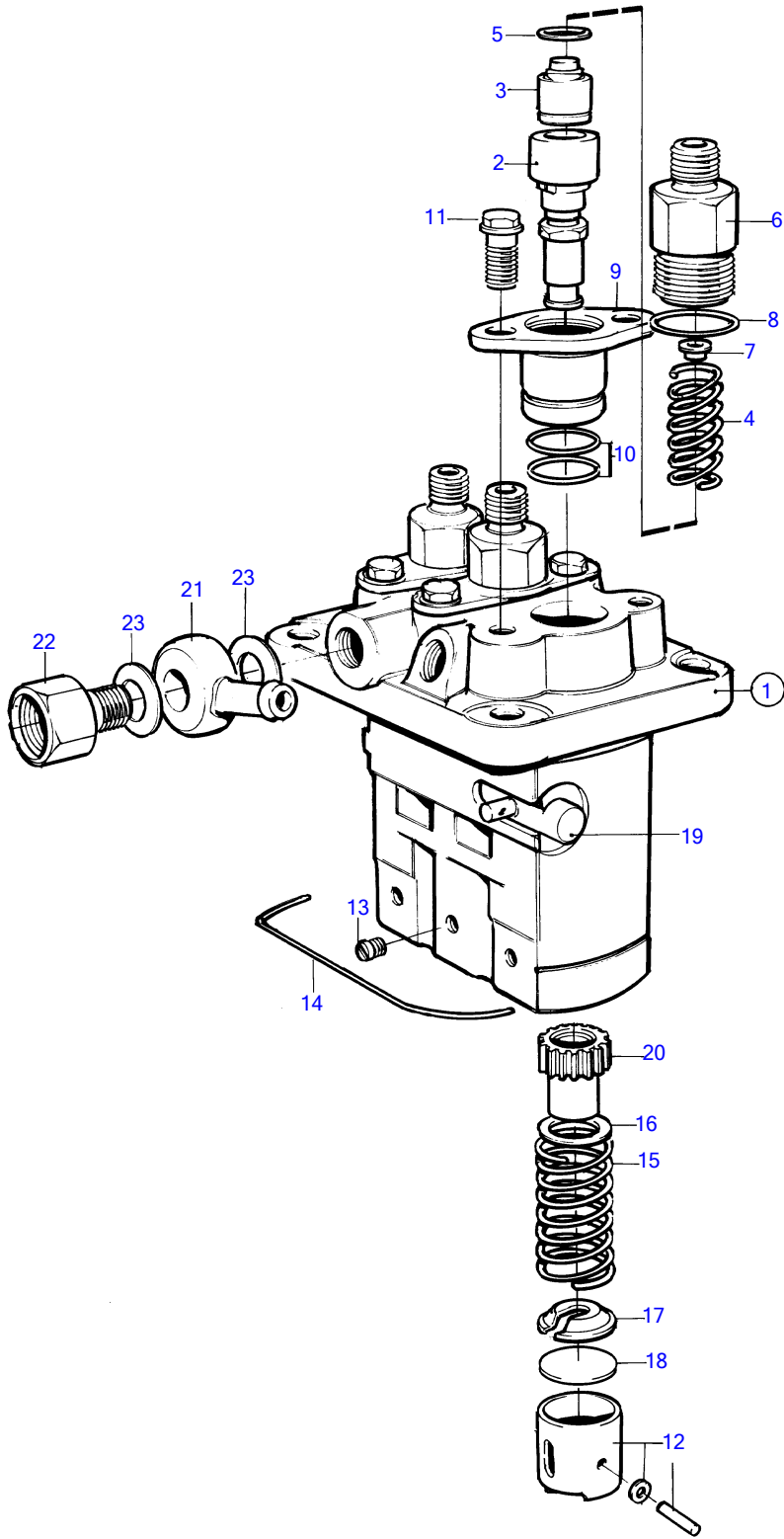


MD2040A



15062

MD2040A

| REF | PART NO.  | QTY | DESCRIPTION           | NOTES         |
|-----|-----------|-----|-----------------------|---------------|
| 1   | 3580127   | 1   | Fuel pump             |               |
| 2   | 3580608   | 3   | • Pump element tappet |               |
| 3   | 3580609   | 3   | • Delivery valve      |               |
| 4   | 3580610   | 3   | • Spring              |               |
| 5   | 3580611   | 3   | • Gasket              |               |
| 6   | 3580612   | 3   | • Gasket              |               |
| 7   | 3580613   | 3   | • Valve seat          |               |
| 8   | 3580614   | 3   | • O-ring              |               |
| 9   |           | 3   | • Sleeve              |               |
| 10  | 3580616   | 6   | • O-ring              |               |
| 11  | 3580617   | 6   | • Screw               |               |
| 12  | (3580618) | 3   | • Tappet              | Obsolete part |
| 13  | (3580619) | 3   | • Pin                 | Obsolete part |
| 14  | (3580620) | 1   | • Lock ring           | Obsolete part |
| 15  | 3580621   | 3   | • Spring              |               |
| 16  | (3580622) | 3   | • Spring seat         | Obsolete part |
| 17  | (3580623) | 3   | • Spring seat         | Obsolete part |
| 18  | (3580624) | X   | • Adjusting washer    | Obsolete part |
| 19  | (3580625) | 1   | • Control rod         | Obsolete part |
| 20  | 3580626   | 1   | • Control sleeve      |               |
| 21  | 3580627   | 1   | • Banjo nipple        |               |
| 22  | 3580628   | 1   | • Hollow screw        |               |
| 23  | 11994     | 2   | • Gasket              |               |