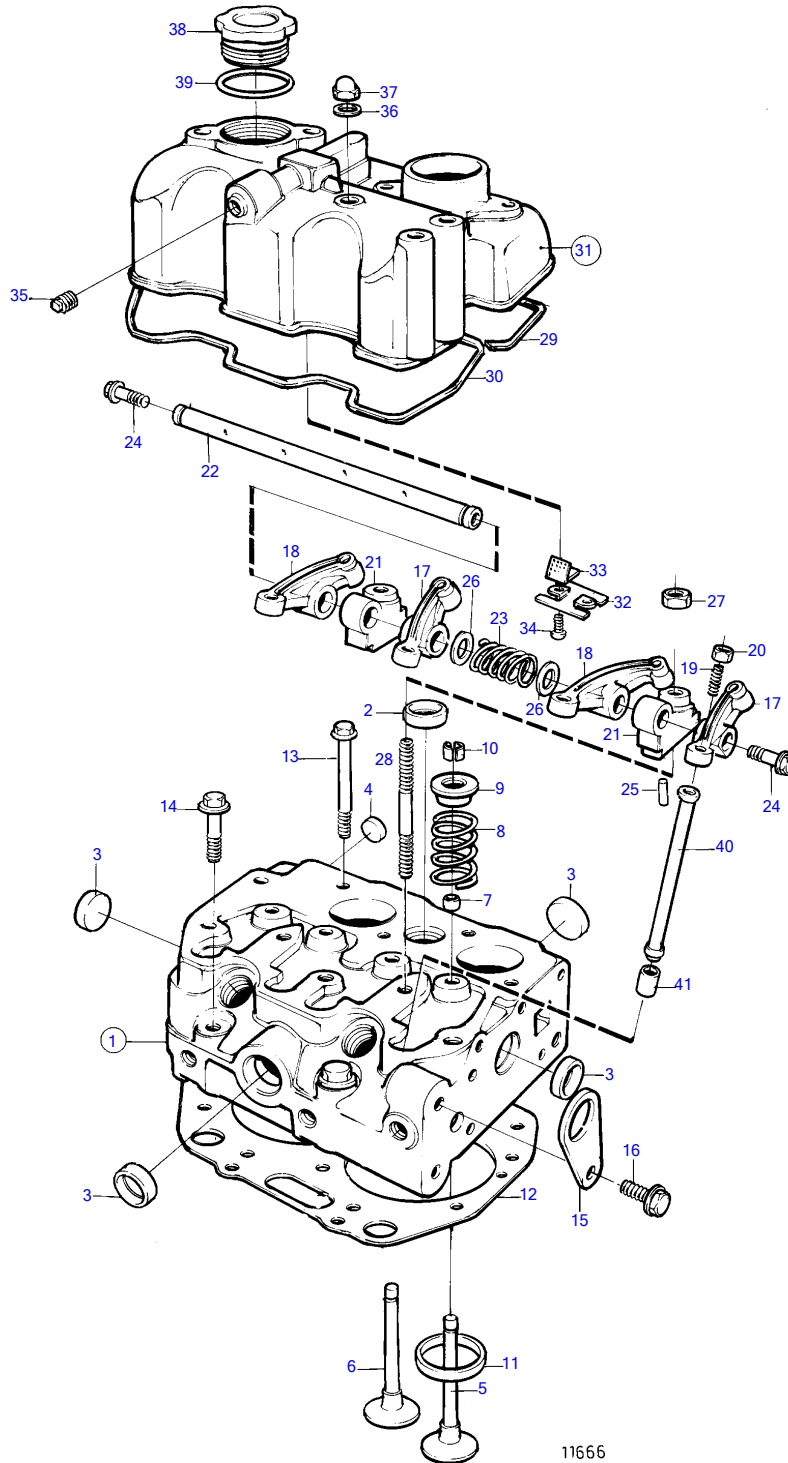


MD2010A



MD2010A

REF	PART NO.	QTY	DESCRIPTION	NOTES
1	861856	1	Cylinder head	
2	861802	1	• Plug	
3	861857	4	• Plug	
4	861804	3	• Plug	
5	861858	2	• Inlet valve	
6	861859	2	• Exhaust valve	
7	861860	4	• Valve stem seal	
8	861861	4	• Valve spring	
9	861862	4	• Valve spring washer	
10	861863	8	• Valve cone	
11	861864	2	• Valve seat	
12	861865	1	Cylinder head gasket	TH=0,6mm
13	861866	8	Screw	
14	861867	2	Screw	
15	(861869)	1	Lifting eye	Obsolete part
16	861870	1	Screw	
17	861875	2	Rocker arm	
18	861876	2	Rocker arm	
19	861877	4	Screw	
20	861878	4	Nut	
21	861879	2	Bracket	
22	861880	1	Shaft	
23	861881	1	Spring	
24	861886	2	Plug	
25	861882	1	Tensioning din	
26	861883	2	Adjusting washer	
27	948645	2	Flange lock nut	
28	861885	2	Stud bolt	
29	861887	1	Gasket	
30	861888	1	Gasket	
31	861889	1	Valve cover	
32		1	• Separator	
33	861891	1	• Filter	
34	861852	2	• Screw	
35	861893	1	• Plug	
36	11992	2	Gasket	
37	861895	2	Nut	
38	861896	1	Oil filler cap	
39	861897	1	O-ring	
40	861828	4	Push rod	
41	861827	4	Tappet	

7746800-21-132

11666

Upd:2012-05-07