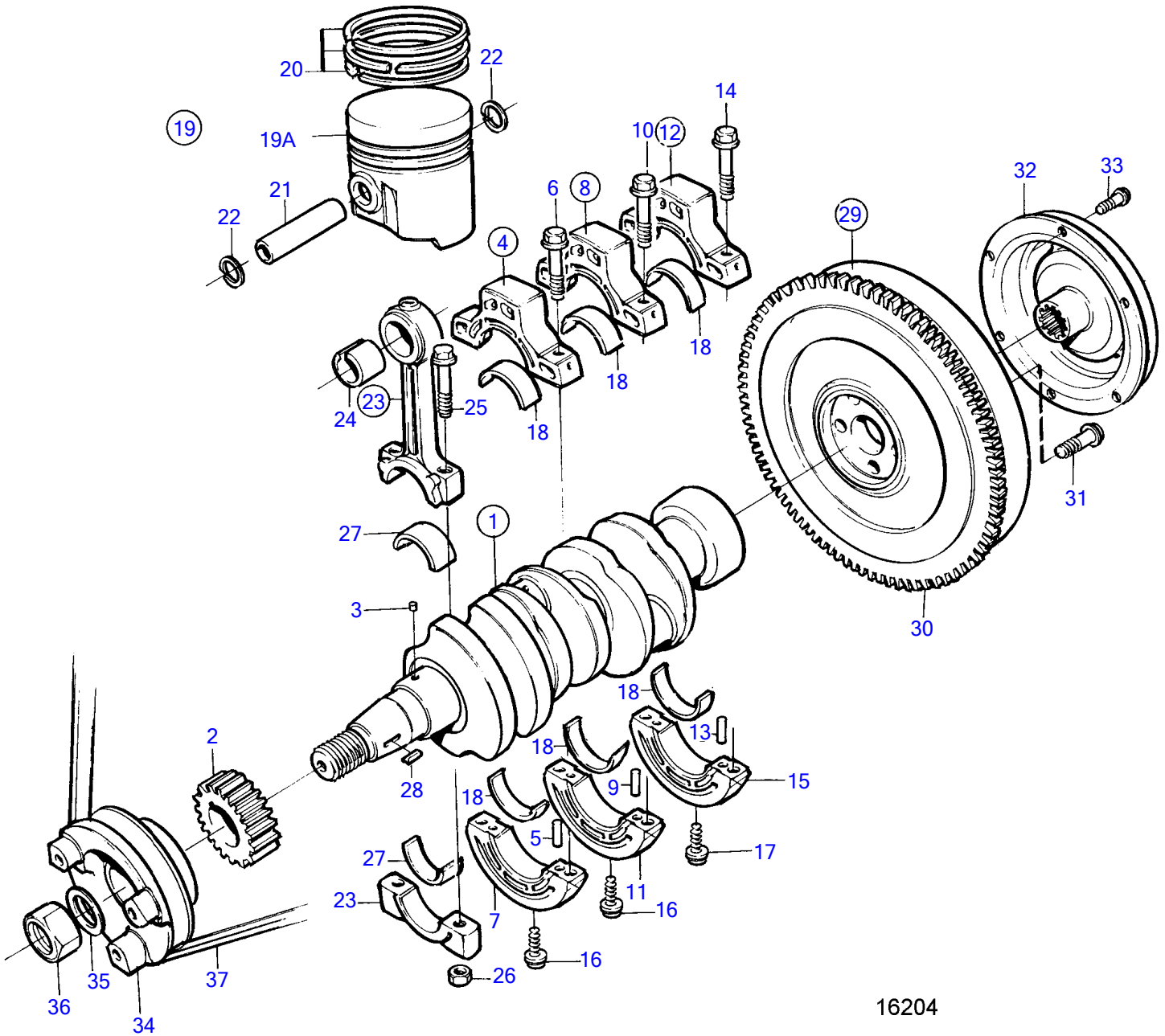


MD2020A



## MD2020A

REF	PART NO.	QTY	DESCRIPTION	SEE SEC.	NOTES
1	3580253	1	Crankshaft		
2	(861933)	1	• Gear		Obsolete part
3	861934	1	• Key		
4		1	Retainer		
5		2	• Pin		
6	861936	2	• Screw		
7		1	• Retainer		
8		1	Retainer		
9		2	• Pin		
10	861936	2	• Screw		
11		1	• Retainer		
12		1	Retainer		
13		2	• Pin		
14	861936	2	• Screw		
15		1	• Retainer		
16	861952	2	Screw		
17	861953	2	Screw		
18	876666	1	Main bearing kit		Std D
	876667	1	Main bearing kit		U.S=0,25mm
	876668	1	Main bearing kit		U.S=0.50mm
19	876692	3	Piston kit		Std D
	876696	3	Piston kit		O.S=0,25mm
	876814	3	Piston kit		O.S=0.50mm
19A		3	• Piston kit		Std D
19		3	• Piston kit		O.S=0,25mm
		3	• Piston kit		O.S=0.50mm
20	861954	3	• • Piston ring kit		Std D
	861955	3	• • Piston ring kit		O.S=0,25mm
	861956	3	• • Piston ring kit		O.S=0.50mm
21	861960	3	• Piston pin		
22	861961	6	• Lock ring		
23	861962	3	Connecting rod		
24	861963	3	• Bushing		
25	861964	6	• Screw		
26	861965	6	• Nut		
27	876672	1	Big-end bearing kit		Std D
	876680	1	Big-end bearing kit		U.S=0,25mm
	876681	1	Big-end bearing kit		U.S=0,50mm
28	861969	1	Woodruff key		
29	861972	1	Flywheel		
30	861973	1	• Gear ring		
31	861974	4	Screw		
32	872809	1	Vibration damper		Use together with drive unit 120S and MS2L
33	861975	6	Screw		
34	3580255	1	Pulley		
35	861978	1	Washer		
36	861977	1	Nut		
37		1	Drive belt	198	