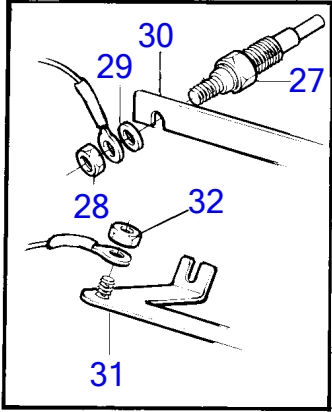
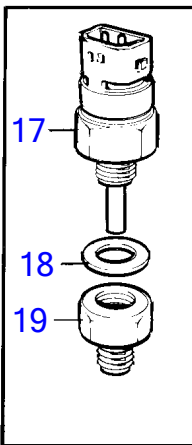
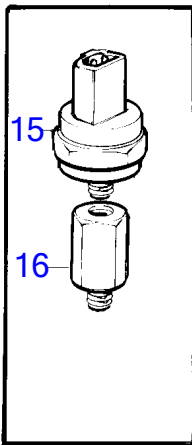
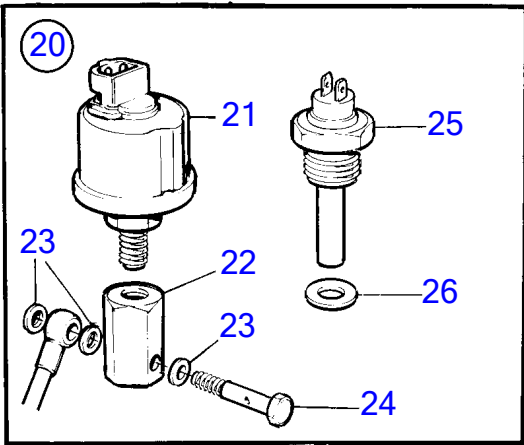
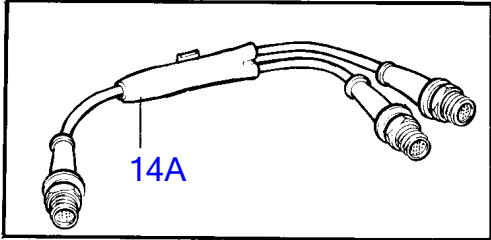
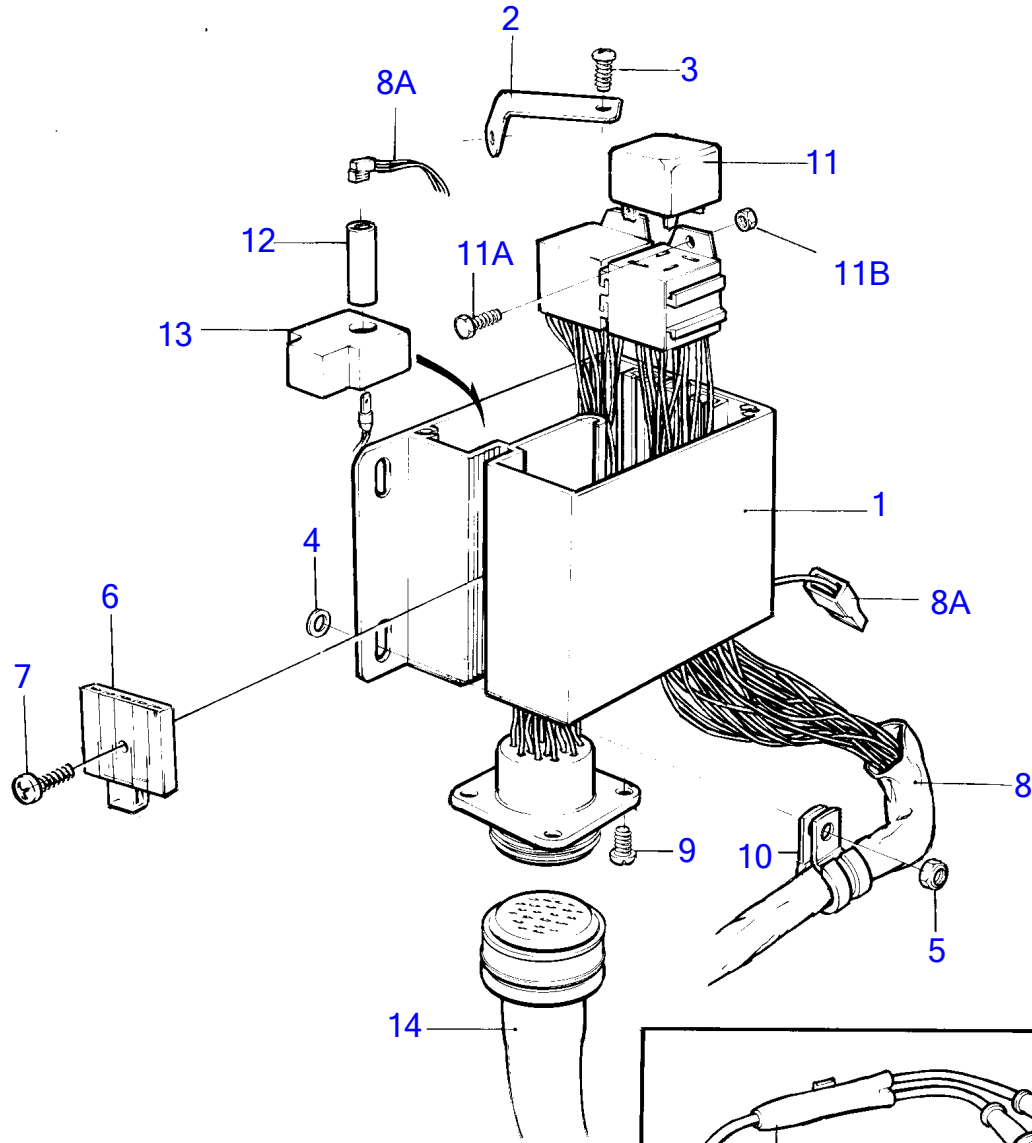


MD2020A, MD2030A



15898

MD2020A, MD2030A

REF	PART NO.	QTY	DESCRIPTION	SEE SEC.	NOTES
1	861390	1	Electrical distribut		
2	3580947	1	Stay		MD2020A
	3580948	1	Stay		MD2030A
3		1	Screw		
4		2	Washer		
5		2	Nut		
6	873566	1	Fuse box		
7	955142	1	Cross recessed screw		
8	873215	1	Wiring harness		
8A		X	electrical materials	1963	
9	955119	4	Cross recessed screw		
10	952630	1	Clamp		
11	876039	2	Relay kit		12V 20-30A (1504952)
11A	948663	2	Flange screw		
11B	955780	2	Hexagon nut		
12	1624394	1	Diode		
13	873397	1	Diode retainer		
14	846648	1	Extension cable'verl		L=3.0m
	846649	1	Extension cable'verl		L=5.0m
	846650	1	Extension cable'verl		L=7.0m
14A	1140598	X	Distributing contact		For double steering positions.
15	873153	1	Pressure monitor, oil-pressure		
16	(861873)	1	Nipple		Obsolete part
17	858229	1	Thermo monitor		
18	947624	1	Gasket		
19	3580007	1	Connector		
20	873155	1	Sensor kit		
21	866835	1	• Sensor, oil-pressure • Bulletin P-38-6-1	P-38-6-1-EN	0-10BAR Vibration Damping Kit
22	861388	1	• Adapter		
23	947620	3	• Gasket		
24	861389	1	• Hollow screw		
25	843325	1	• Temperature sensor		120°C
26	947624	1	• Gasket		
27	3580084	3	Glow plug		
28		3	• Nut		
29		3	• Washer		
30	3580267	1	Current bar		MD2020A
	3580391	1	Current bar		MD2030A