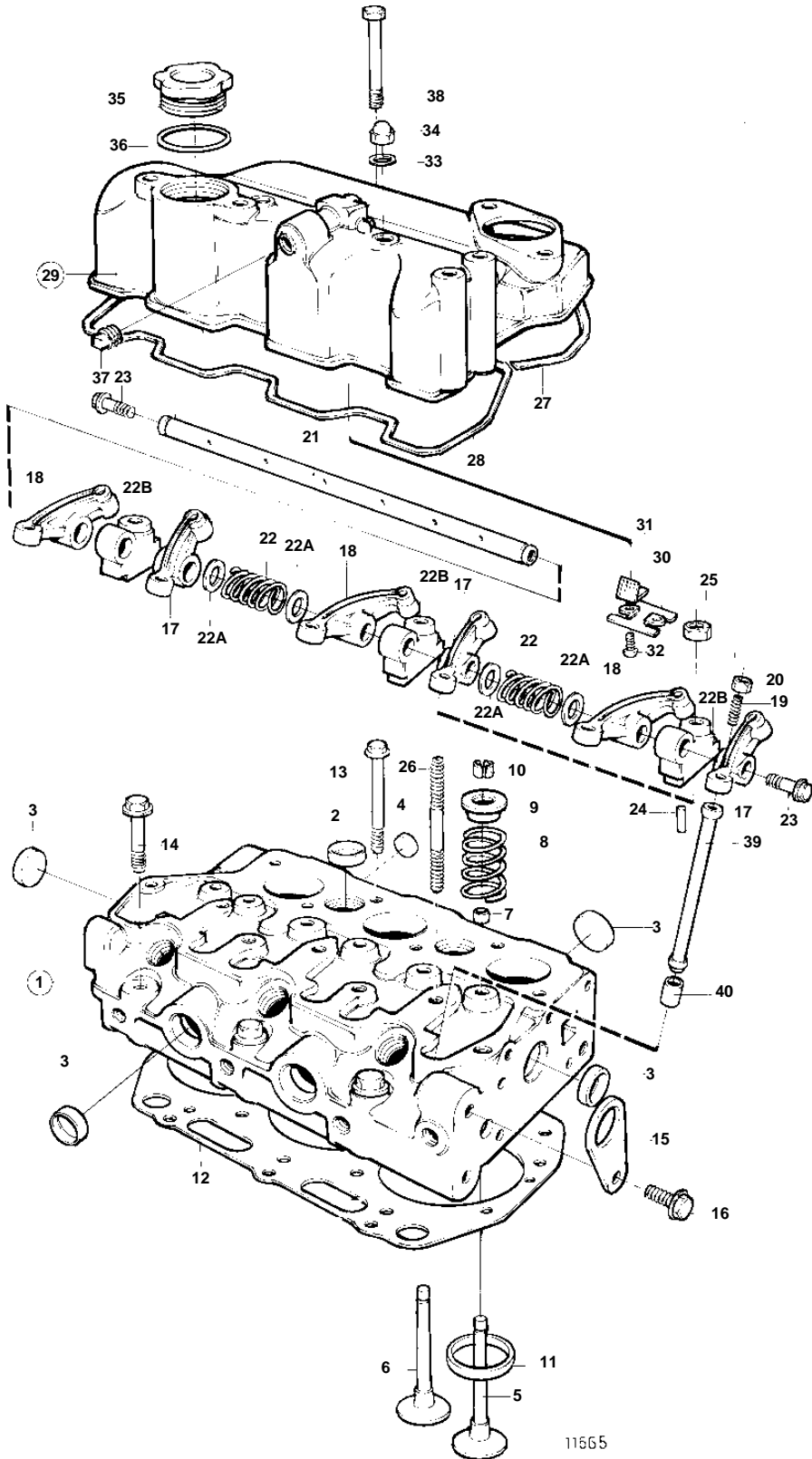


MD2020A



MD2020A

REF	PART NO.	QTY	DESCRIPTION	NOTES
1	3580233	1	Cylinder head	
2	861802	2	· Plug	
3	861857	6	· Plug	
4	861804	4	· Plug	
5	861858	3	· Inlet valve	
6	861859	3	· Exhaust valve	
7	861860	6	· Valve stem seal	
8	861861	6	· Valve spring	
9	861862	6	· Valve spring washer	
10	861863	12	· Valve cone	
11	861864	3	· Valve seat	
12	3580234	1	Gasket	TH = 0,5mm
13	861866	11	Flange screw	
14	861867	3	Screw	
15		1	Lifting eye	
16	861870	1	Screw	
17	861875	3	Rocker arm	
18	861876	3	Rocker arm	
19	861877	6	Adjuster screw	
20	861878	6	Nut	
21	3580237	1	Rocker arm shaft	
22	861881	2	Spring	
22A	861883	4	Shim	
22B	861879	3	Bracket	
23	861886	2	Plug	
24	861882	1	Tensioning din	
25	948645	3	Lock nut	
26	861885	3	Stud	
27	3580238	1	Gasket	
28	3580239	1	Gasket	
29	3580240	1	Valve cover	
30		1	· Retainer	
31	861891	1	· Filter	
32	861852	2	· Screw	
33	11992	3	Gasket	(861868)
34	3580241	3	Nut	
35	861896	1	Oil filler cap	
36	861897	1	O-ring	
37		1	Plug	
38	3580243	2	Screw	
39	861828	6	Push rod	
40	3580464	6	Lifter	(861827)