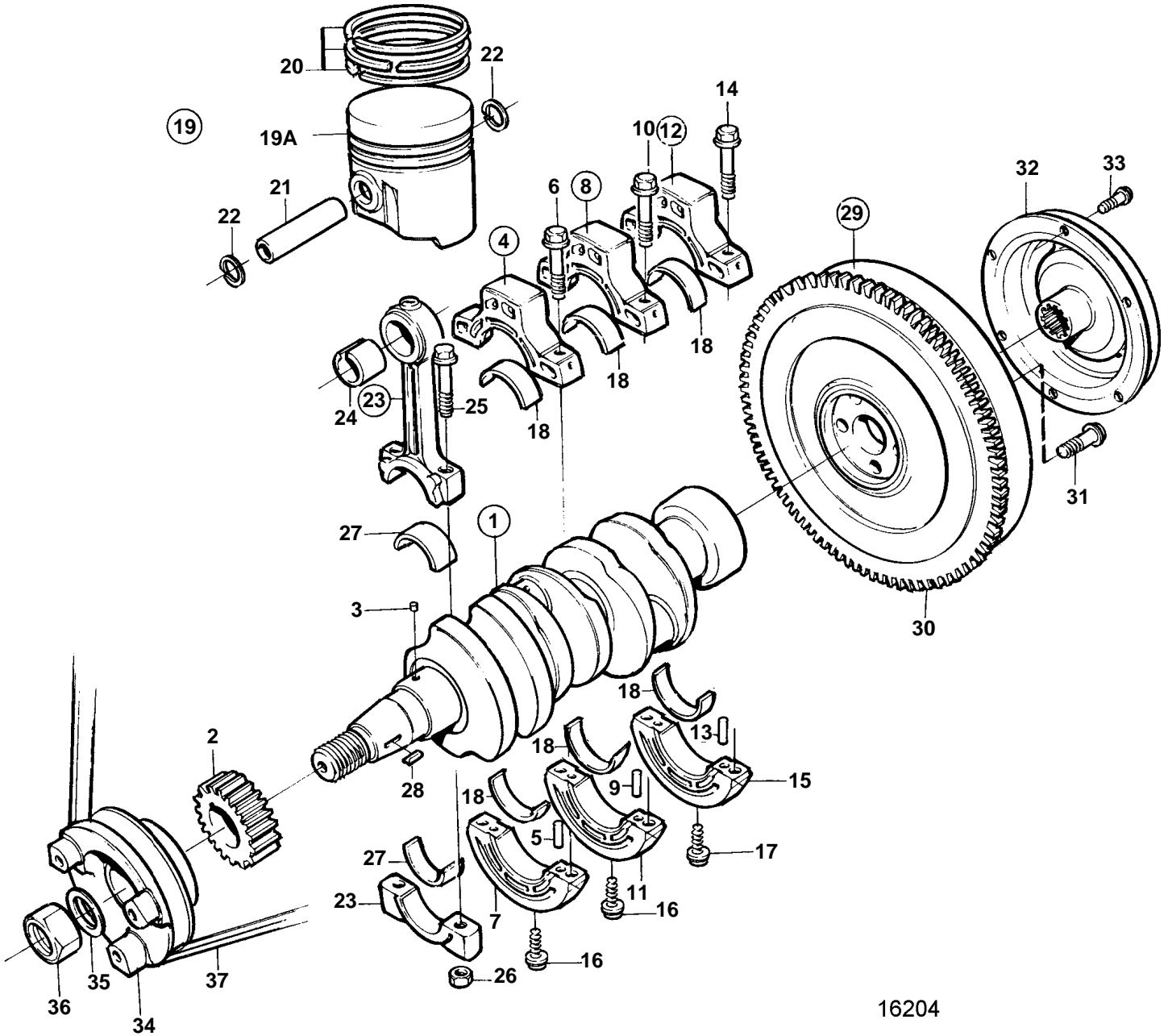


MD2020A



MD2020A

| REF | PART NO. | QTY | DESCRIPTION | SEE SEC. | NOTES |
|-----|----------|-----|---------------------|----------|------------|
| 1 | 3580253 | 1 | Crankshaft | | |
| 2 | 861933 | 1 | • Gear | | |
| 3 | 861934 | 1 | • Key | | |
| 4 | | 1 | Retainer | | |
| 5 | | 2 | • Pin | | |
| 6 | 861936 | 2 | • Screw | | |
| 7 | | 1 | • Retainer | | |
| 8 | | 1 | Retainer | | |
| 9 | | 2 | • Pin | | |
| 10 | 861936 | 2 | • Screw | | |
| 11 | | 1 | • Retainer | | |
| 12 | | 1 | Retainer | | |
| 13 | | 2 | • Pin | | |
| 14 | 861936 | 2 | • Screw | | |
| 15 | | 1 | • Retainer | | |
| 16 | 861952 | 2 | Screw | | |
| 17 | 861953 | 2 | Screw | | |
| 18 | 876666 | 1 | Main bearing kit | | STD D |
| | 876667 | 1 | Main bearing kit | | U.S=0,25mm |
| | 876668 | 1 | Main bearing kit | | U.S=0,50mm |
| 19 | 876692 | 3 | Piston kit | | STD D |
| | 876696 | 3 | Piston kit | | O.S=0,25mm |
| | 876814 | 3 | Piston kit | | O.D=0,50mm |
| 19A | 861957 | 3 | • Piston kit | | STD D |
| | 861958 | 3 | • Piston kit | | O.S=0,25mm |
| | 861959 | 3 | • Piston kit | | O.D=0,50mm |
| 20 | 861954 | 3 | • • Piston ring kit | | STD D |
| | 861955 | 3 | • • Piston ring kit | | O.S=0,25mm |
| | 861956 | 3 | • • Piston ring kit | | O.D=0,50mm |
| 21 | 861960 | 3 | • Piston pin | | |
| 22 | 861961 | 6 | • Lock ring | | |
| 23 | 861962 | 3 | Connecting rod | | |
| 24 | 861963 | 3 | • Bushing | | |
| 25 | 861964 | 6 | • Screw | | |
| 26 | 861965 | 6 | • Nut | | |
| 27 | 876672 | 1 | Big end bearing kit | | STD D |
| | 876680 | 1 | Big end bearing kit | | U.S=0,25mm |
| | 876681 | 1 | Big end bearing kit | | U.S=0,50mm |
| 28 | 861969 | 1 | Woodruff key | | |
| 29 | 861972 | 1 | Flywheel | | |
| 30 | 861973 | 1 | • Gear ring | | |
| 31 | 861974 | 4 | Screw | | |
| 32 | 872809 | 1 | Vibration damper | | |
| 33 | 861975 | 6 | Screw | | |
| 34 | 3580255 | 1 | Pulley | | |
| 35 | 861978 | 1 | Washer | | |
| 36 | 861977 | 1 | Nut | | |
| 37 | | 1 | Drive belt | 198 | |