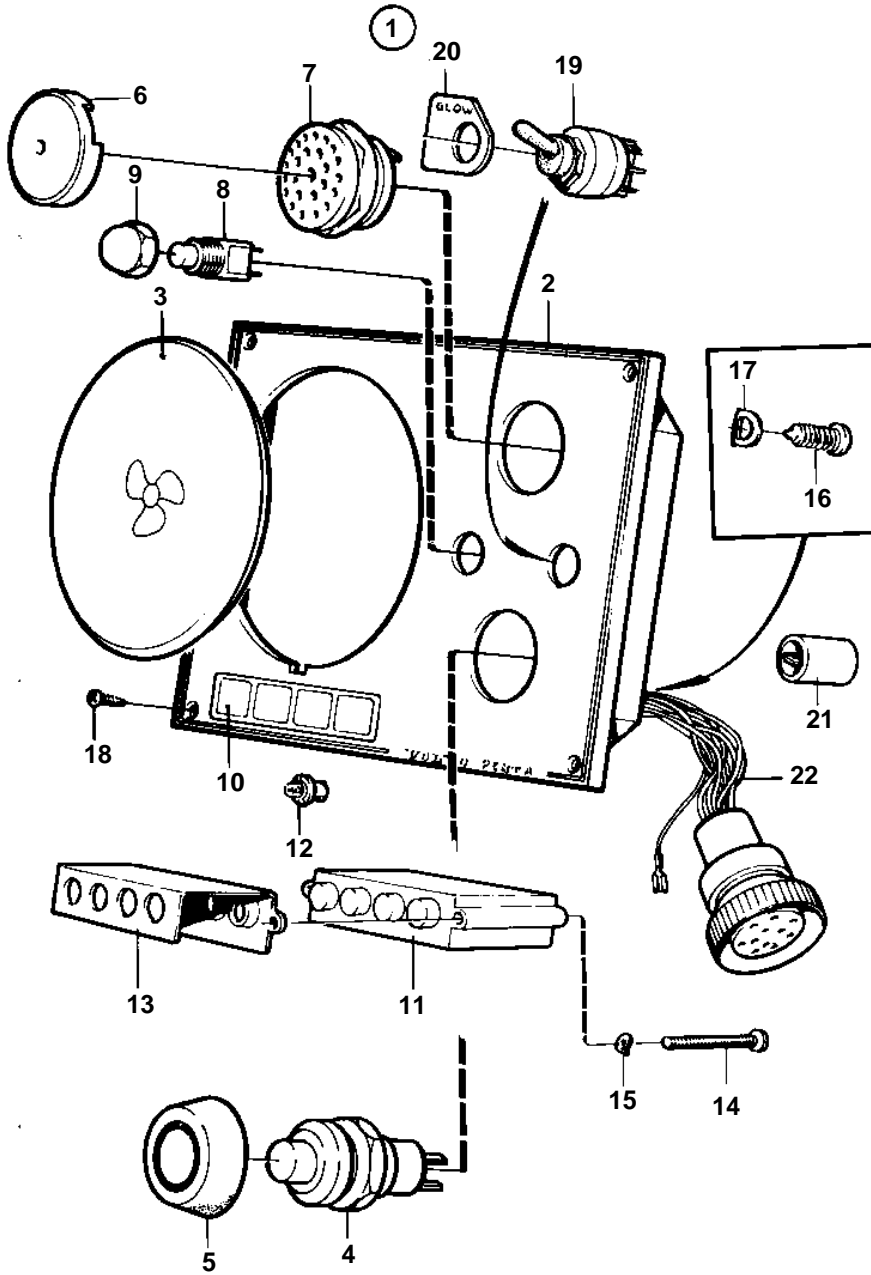


MD2010A



15073

MD2010A

REF	PART NO.	QTY	DESCRIPTION	SEE SEC.	NOTES
1	873175	1	Instrument panel		12V. Replaced by 1 ea instrument panel 873594 and 1 ea plastic plug 858648.
2	872798	1	• Instrument panel		
3	858648	1	• Plastic plug		
4	843684	1	• Button		
5	837533	1	• Rubber cap		
6	858795	1	• Protecting casing		
7	828587	1	• Buzzer		
8	828585	1	• Switch		
9	828586	1	• Nut		
10	858645	1	• Symbol strip		
11	873209	1	• Electronic unit		(828783)
12	19923	3	• Bulb		
13	828784	1	• Reflector		
14	941615	2	• Screw		
15	941905	2	• Spring washer		
16	949947	1	• Screw		
17	941904	1	• Spring washer		
18	828647	4	• Screw		
19	872800	1	• Switch		
20	872771	1	• Decal		
21	1624394	1	• Diode		
22		X	• Cables and terminals	124	