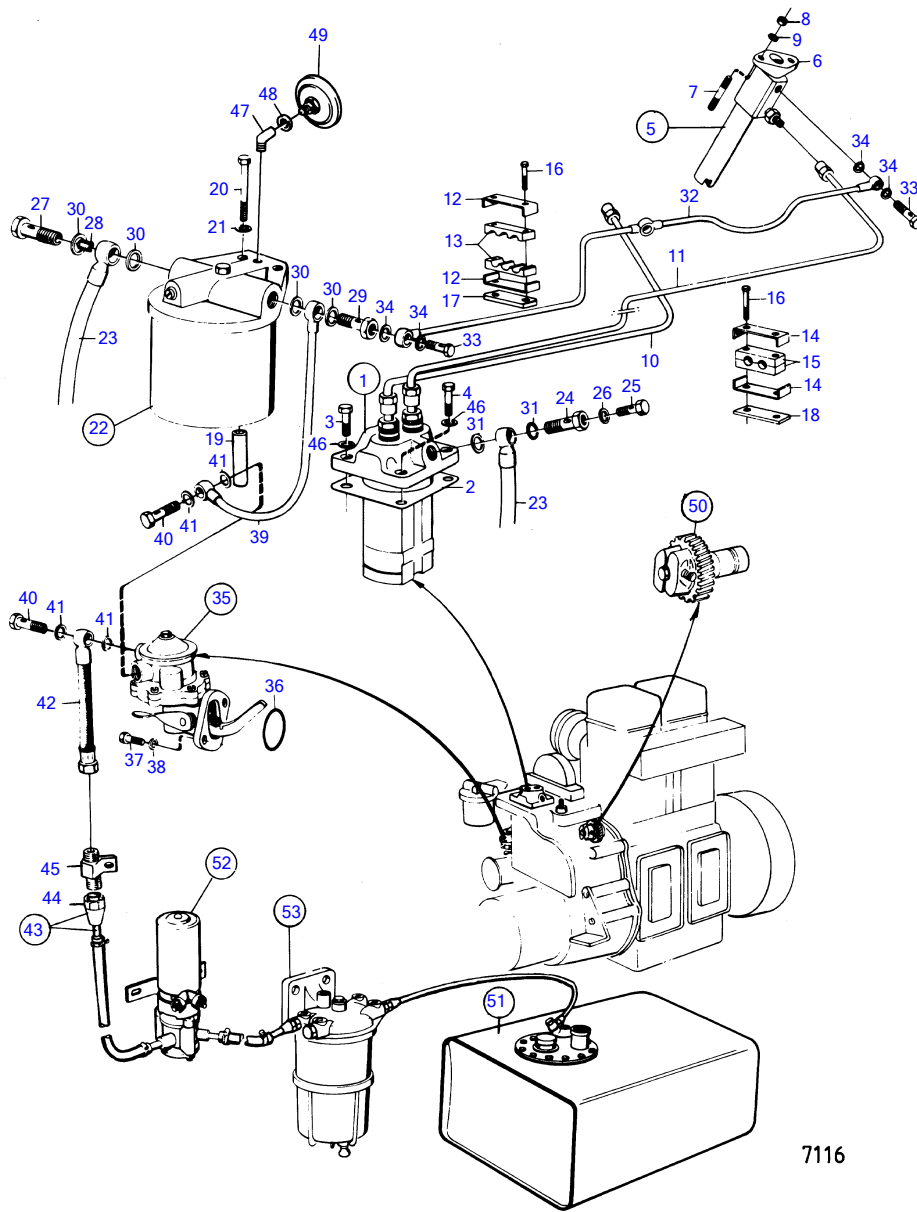


MD2B



## MD2B

REF	PART NO.	QTY	DESCRIPTION	SEE SEC.	NOTES
1		1			Replaced by 833741., MO-17506
			.	13774	
	(833741)	1	Injection pump		Obsolete part, MO 17507-54378
			.	13774	
	(840392)	1	Injection pump		Obsolete part, MO 54379-
			.	13774	
2	897392	X	Gasket		
3	955296	3	Hexagon screw		
4	(103155)	1	Screw		Obsolete part
5	833191	2	Injector		
			.	13776	
6	(803334)	2	Attaching plate		Obsolete part
7	(952991)	4	Stud		Obsolete part
8					
10	(833199)	1	Delivery pipe		Obsolete part
11	(833198)	1	Delivery pipe		Obsolete part
12	414346	2	Attaching clamp		
13	414347	2	Attaching clamp		
14	414344	2	Attaching clamp		
15	414345	2	Rubber spacer		
16	955247	4	Hexagon screw		
17	414735	1	Nut plate		
18	414736	1	Nut plate		
19	(803657)	2	Spacer sleeve		Obsolete part
20	955324	2	Hexagon screw		
21	942336	2	Spring washer		
22	(803323)	1	Fuel filter		Obsolete part, Replaced by 840532.
	840532	1	Fuel filter		
			.	13779	
23	833346	1	Fuel hose		
24	803658	1	Hollow screw		
25	240664	1	Bleeder screw		(233017)
26	11991	1	Gasket		
27	807058	1	Hollow screw		
28	807059	1	Nozzle		
29	16496	1	Hollow screw		
30	957178	4	Gasket		
31	11994	2	Gasket		
32	(897411)	1	Leak-off pipe		Obsolete part
33	74033	3	Hollow screw		
34	957171	6	Gasket		
35	833323	1	Fuel pump		
			Bulletin P-23-3-2	P-23-3-2-EN	New Fuel Pump as Spare Part
35			.	13777	
36	942353	1	O-ring		
37	942001	2	Hex. socket screw		
38	941906	2	Spring washer		
39	(897412)	1	Tube		Obsolete part
40	25167	2	Hollow screw		
41	957178	4	Gasket		
42	840263	1	Fuel hose		(807074) repl by 840263
43	(829744)	1	Hose connection		Obsolete part
44	807061	1	• Cap nut		
45	833922	1	Joint nipple		
46	11992	4	Gasket		
47	(829731)	1	Elbow nipple		Obsolete part, For spec 867208, -351, -374, -380, MO 45483-
48	957178	1	Gasket		For spec 867208, -351, -374, -380, MO 45483-
49	466398	1	Pressure equalizer		For spec 867208, -351, -374, -380, MO 45483-
50		1	governor and installation components	13769	
51	(828340)		Fuel tank		Obsolete part, (833863) see group 9

7742090-23-13771

7116

Upd:2011-02-18

MD2B

REF	PART NO.	QTY	DESCRIPTION	SEE SEC.	NOTES
52	(833454)		• Fuel pump		Obsolete part, See group 9
53		1	water separator	13768	