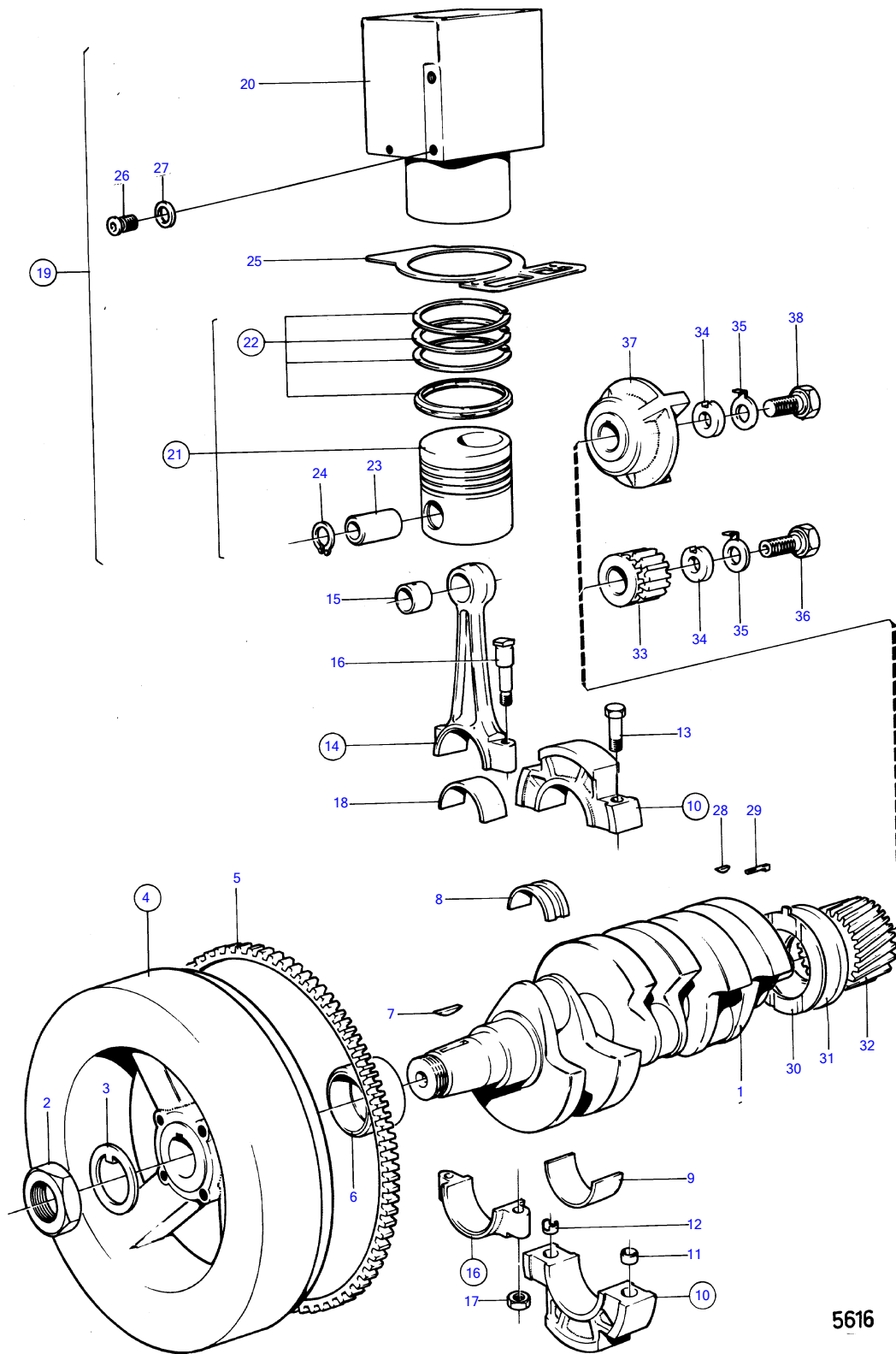


MD3B



5616

## MD3B

| REF | PART NO. | QTY | DESCRIPTION           | SEE SEC. | NOTES  |
|-----|----------|-----|-----------------------|----------|--|
| 1   | (833219) | 1   | Crankshaft            |          | Obsolete part  |
|     | (833942) | 1   | Crankshaft            |          | MO 5491-5666, 6505-, Obsolete part                                   |
| 2   | 10764    | 1   | Nut                   |          |  |
| 3   | 15192    | 1   | Washer                |          |  |
| 4   | (833080) | 1   | Flywheel              |          | MO-5490, 5667-6504, Obsolete part                                    |
|     | (833943) | 1   | Flywheel              |          | MO 5491-5666, 6505-, Obsolete part                                   |
| 5   | 430057   | 1   | • Gear ring           |          |  |
| 6   | 944181   | 1   | Sealing ring          |          |  |
| 7   | (910133) | 1   | Woodruff key          |          | MO-5490, 5667-6504, Obsolete part                                    |
|     | (910121) | 1   | Woodruff key          |          | MO 5491-5666, 6505-, Obsolete part                                   |
| 8   | 875483   | 2   | Main bearing kit      |          | Std D  |
|     | 875485   | 2   | Main bearing kit      |          | 0,25mm u.s   |
|     | (875486) | 2   | Main bearing kit      |          | 0,50mm u.s, Obsolete part  |
|     | (875487) | 2   | Main bearing kit      |          | 0,75mm u.s, Obsolete part  |
| 9   | 875484   | 2   | Main bearing kit      |          | Std D  |
|     | 875488   | 2   | Main bearing kit      |          | 0,25mm u.s   |
|     | 875489   | 2   | Main bearing kit      |          | 0,50mm u.s   |
|     | (875490) | 2   | Main bearing kit      |          | 0,75mm u.s, Obsolete part  |
| 10  | (897223) | 1   | Bearing               |          | Front, Obsolete part   |
|     | (807497) | 1   | Bearing cap           |          | Rear, Obsolete part  |
| 11  | (70415)  | 2   | • Guide sleeve        |          | Obsolete part  |
| 12  | (301718) | 2   | • Guide sleeve        |          | Obsolete part  |
| 13  | 955343   | 4   | • Hexagon screw       |          |  |
| 14  | (807039) | 3   | Connecting rod        |          | Obsolete part  |
| 15  | 803555   | 3   | • Bushing             |          |  |
| 16  | (807040) | 6   | • Connecting rod bolt |          | Obsolete part  |
| 17  | 463643   | 6   | • Nut                 |          |  |
| 18  | 875491   | 3   | Big-end bearing kit   |          | Std D  |
|     | 875492   | 3   | Big-end bearing kit   |          | 0,25mm u.s   |
|     | 875493   | 3   | Big-end bearing kit   |          | 0,50mm u.s   |
|     | (875494) | 3   | Big-end bearing kit   |          | 0,75mm u.s, Obsolete part  |
| 19  | (875513) | 3   | Cylinder block        | 13756    | Obsolete part  |
| 20  |          | 3   | • cylinder            |          |  |
| 21  | 875551   | 3   | • Piston kit          |          | Std D  |
|     | 875579   | 3   | • Piston              |          | 0,75mm o.s   |
| 22  | 875498   | 3   | • • Piston ring kit   |          | Std D  |
|     | 875499   | 3   | • • Piston ring kit   |          | 0,75mm o.s   |
| 23  | 833185   | 3   | • • Piston pin        |          |  |
| 24  | 914515   | 6   | • • Snap ring         |          |  |
| 25  | 833497   | 3   | • Spacer              |          | TH=0.2mm   |
|     | 833498   | 3   | • Spacer              |          | TH=0.3mm   |
| 26  | (807125) | 3   | • Plug                |          | Obsolete part  |
| 27  | 18811    | 3   | • Gasket              |          |  |
| 28  | (910121) | 1   | Woodruff key          |          | Obsolete part  |
| 29  | (833313) | 1   | Key                   |          | See group 4A, Obsolete part  |
| 30  | 803515   | 2   | Thrust washer         |          |  |
| 31  | (802502) | 1   | Support washer        |          | Obsolete part  |
| 32  | (405025) | 1   | Gear                  |          | Obsolete part  |
| 33  | (802588) | 1   | Gear                  |          | For engine with reduction reverse gear., See group 4A, Obsolete part |
| 34  | (833056) | 1   | Washer                |          | Obsolete part  |
| 35  | (833057) | 1   | Lock washer           |          | Obsolete part  |
| 36  | (833054) | 1   | Lock screw            |          | For engine with reduction reverse gear., See group 4A, Obsolete part |
| 37  | (834336) | 1   | Companion flange      |          | For engine with monoshift reverse gear., See group 4A, Obsolete part |
| 38  | (945766) | 1   | Hexagon screw         |          | For engine with monoshift reverse gear., See group 4A, Obsolete part |

7742090-21-13759

5616

Upd:2011-02-18