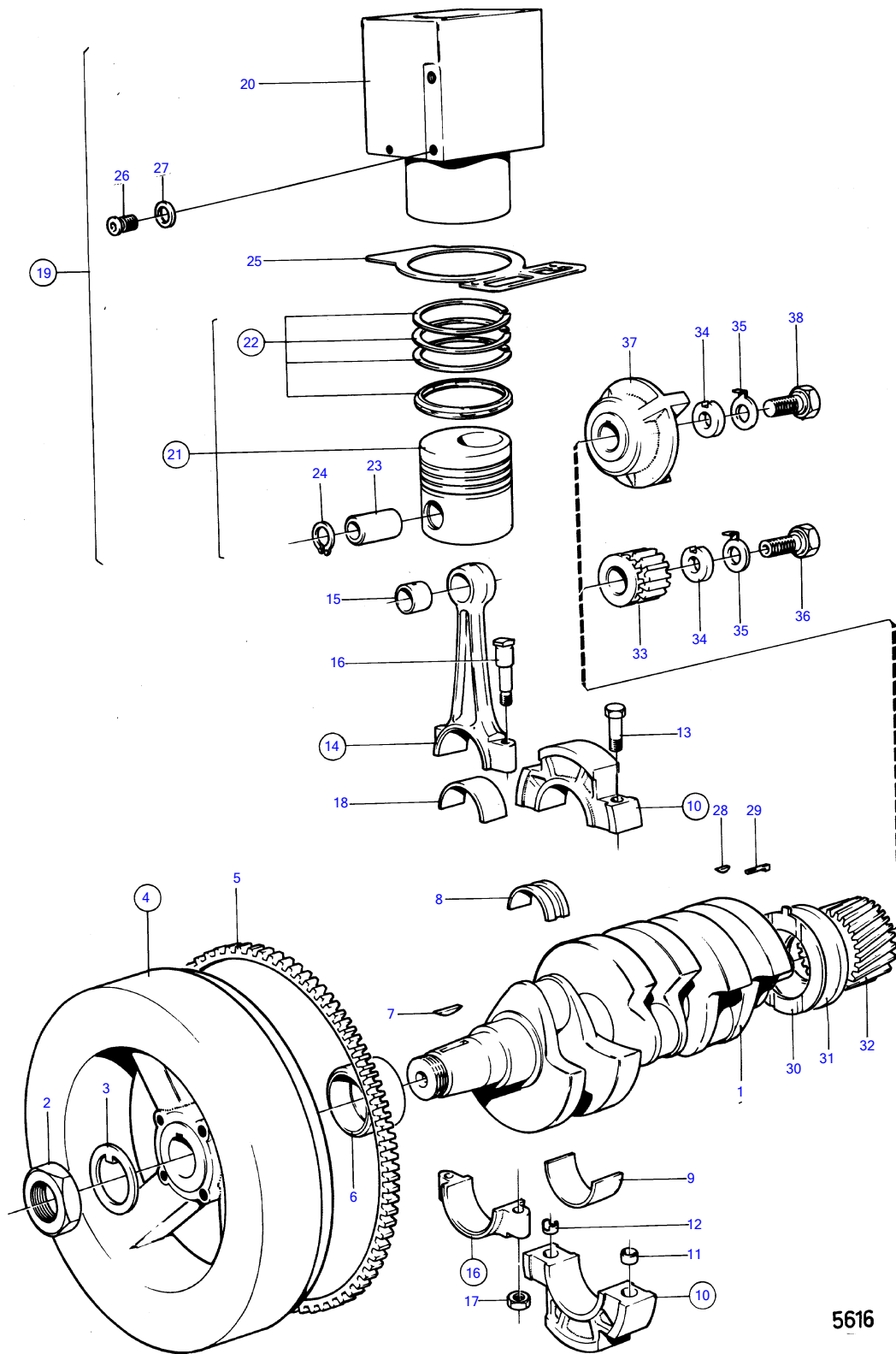


MD3B



MD3B

REF	PART NO.	QTY	DESCRIPTION	SEE SEC.	NOTES
1	(833219)	1	Crankshaft		Obsolete part
	(833942)	1	Crankshaft		MO 5491-5666, 6505-, Obsolete part
2	10764	1	Nut		
3	15192	1	Washer		
4	(833080)	1	Flywheel		MO-5490, 5667-6504, Obsolete part
	(833943)	1	Flywheel		MO 5491-5666, 6505-, Obsolete part
5	430057	1	• Gear ring		
6	944181	1	Sealing ring		
7	(910133)	1	Woodruff key		MO-5490, 5667-6504, Obsolete part
	(910121)	1	Woodruff key		MO 5491-5666, 6505-, Obsolete part
8	875483	2	Main bearing kit		Std D
	875485	2	Main bearing kit		0,25mm u.s
	(875486)	2	Main bearing kit		0,50mm u.s, Obsolete part
	(875487)	2	Main bearing kit		0,75mm u.s, Obsolete part
9	875484	2	Main bearing kit		Std D
	875488	2	Main bearing kit		0,25mm u.s
	875489	2	Main bearing kit		0,50mm u.s
	(875490)	2	Main bearing kit		0,75mm u.s, Obsolete part
10	(897223)	1	Bearing		Front, Obsolete part
	(807497)	1	Bearing cap		Rear, Obsolete part
11	(70415)	2	• Guide sleeve		Obsolete part
12	(301718)	2	• Guide sleeve		Obsolete part
13	955343	4	• Hexagon screw		
14	(807039)	3	Connecting rod		Obsolete part
15	803555	3	• Bushing		
16	(807040)	6	• Connecting rod bolt		Obsolete part
17	463643	6	• Nut		
18	875491	3	Big-end bearing kit		Std D
	875492	3	Big-end bearing kit		0,25mm u.s
	875493	3	Big-end bearing kit		0,50mm u.s
	(875494)	3	Big-end bearing kit		0,75mm u.s, Obsolete part
19	(875513)	3	Cylinder block	13756	Obsolete part
20		3	• cylinder		
21	875551	3	• Piston kit		Std D
	875579	3	• Piston		0,75mm o.s
22	875498	3	• • Piston ring kit		Std D
	875499	3	• • Piston ring kit		0,75mm o.s
23	833185	3	• • Piston pin		
24	914515	6	• • Snap ring		
25	833497	3	• Spacer		TH=0.2mm
	833498	3	• Spacer		TH=0.3mm
26	(807125)	3	• Plug		Obsolete part
27	18811	3	• Gasket		
28	(910121)	1	Woodruff key		Obsolete part
29	(833313)	1	Key		See group 4A, Obsolete part
30	803515	2	Thrust washer		
31	(802502)	1	Support washer		Obsolete part
32	(405025)	1	Gear		Obsolete part
33	(802588)	1	Gear		For engine with reduction reverse gear., See group 4A, Obsolete part
34	(833056)	1	Washer		Obsolete part
35	(833057)	1	Lock washer		Obsolete part
36	(833054)	1	Lock screw		For engine with reduction reverse gear., See group 4A, Obsolete part
37	(834336)	1	Companion flange		For engine with monoshift reverse gear., See group 4A, Obsolete part
38	(945766)	1	Hexagon screw		For engine with monoshift reverse gear., See group 4A, Obsolete part

7742090-21-13759

5616

Upd:2011-02-18

MD1B, MD2B, AQD2B, MD3B

