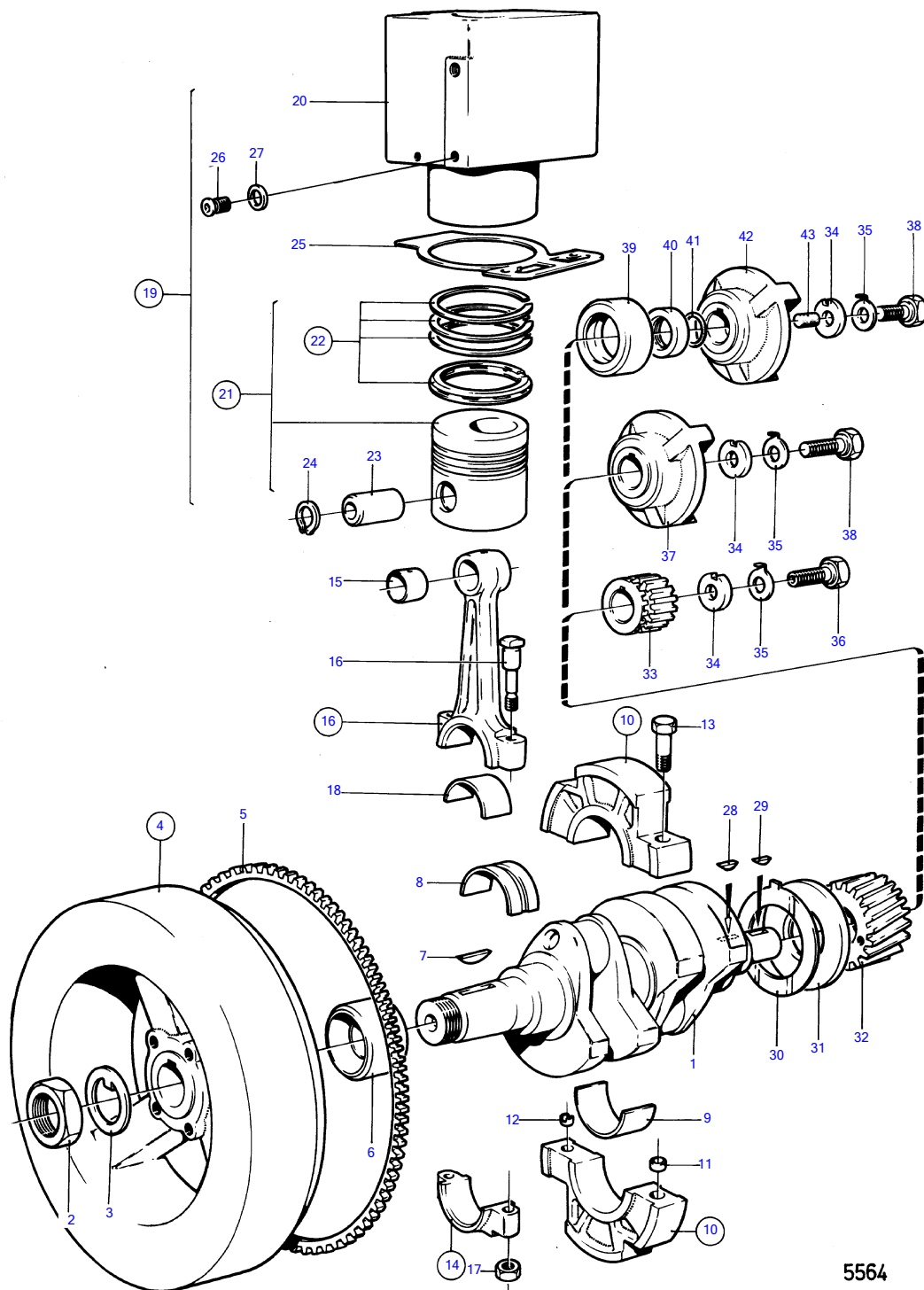


MD2B



5564

MD2B

| REF | PART NO. | QTY | DESCRIPTION | SEE SEC. | NOTES |
|-----|----------|-----|-----------------------|----------|--------------------------------------------------------------------------------|
| 1 | (833377) | 1 | Crankshaft | | Obsolete part |
| 2 | 10764 | 1 | Nut | | |
| 3 | 15192 | 1 | Washer | | |
| 4 | (833318) | 1 | Flywheel | | Engine with dynastart., Obsolete part |
| | (833609) | 1 | Flywheel | | Engine with starter motor., Obsolete part |
| 5 | (833489) | 1 | • Gear ring | | Obsolete part |
| 6 | 803356 | 1 | Sealing ring | | |
| | | | • | 13755 | |
| 7 | (910133) | 1 | Woodruff key | | Obsolete part |
| 8 | 875483 | 2 | Main bearing kit | | Std D |
| | 875485 | 2 | Main bearing kit | | 0,25mm u.s |
| | (875486) | 2 | Main bearing kit | | Obsolete part, 0,50mm u.s |
| | (875487) | 2 | Main bearing kit | | Obsolete part, 0,75mm u.s |
| 9 | 875484 | 1 | Main bearing kit | | Std D |
| | 875488 | 1 | Main bearing kit | | 0,25mm u.s |
| | 875489 | 1 | Main bearing kit | | 0,50mm u.s |
| | (875490) | 1 | Main bearing kit | | Obsolete part, 0,75mm u.s |
| 10 | (897223) | 1 | Bearing | | Obsolete part |
| 11 | (70415) | 1 | • Guide sleeve | | Obsolete part |
| 12 | (301718) | 1 | • Guide sleeve | | Obsolete part |
| 13 | 955343 | 2 | • Hexagon screw | | |
| 14 | (807039) | 2 | Connecting rod | | Obsolete part |
| 15 | 803555 | 2 | • Bushing | | |
| 16 | (807040) | 4 | • Connecting rod bolt | | Obsolete part |
| 17 | 463643 | 4 | • Nut | | |
| 18 | 875491 | 2 | Big-end bearing kit | | Std D |
| | 875492 | 2 | Big-end bearing kit | | 0,25mm u.s |
| | 875493 | 2 | Big-end bearing kit | | 0,50mm u.s |
| | (875494) | 2 | Big-end bearing kit | | Obsolete part, 0,75mm u.s |
| 19 | (875513) | 2 | Cylinder block | 13755 | Obsolete part |
| 20 | | 2 | • cylinder | | |
| 21 | 875551 | 2 | • Piston kit | | Std D |
| | 875579 | 2 | • Piston | | 0,75mm o.s |
| 22 | 875498 | 2 | • • Piston ring kit | | Std D |
| | 875499 | 2 | • • Piston ring kit | | 0,75mm o.s |
| 23 | 833185 | 2 | • • Piston pin | | |
| 24 | 914515 | 4 | • • Snap ring | | |
| 25 | 833497 | 2 | • Spacer | | TH=0.2mm |
| | 833498 | 2 | • Spacer | | TH=0.3mm |
| 26 | (807125) | 2 | Plug | | Obsolete part |
| 27 | 18811 | 2 | Gasket | | |
| 28 | (910121) | 1 | Woodruff key | | Obsolete part |
| 29 | (910121) | 1 | Woodruff key | | Obsolete part, See group 4A |
| 30 | 803515 | 2 | Thrust washer | | |
| 31 | (802502) | 1 | Support washer | | Obsolete part |
| 32 | (405025) | 1 | Gear | | Obsolete part |
| 33 | (802588) | 1 | Gear | | Obsolete part, For engine with reduction reverse gear., See group 4A |
| 34 | (803225) | 1 | Washer | | Obsolete part |
| 35 | 803226 | 1 | Lock washer | | |
| 36 | (807041) | 1 | Lock screw | | Obsolete part, For engine with reduction reverse gear., See group 4A |
| 37 | (834336) | 1 | Companion flange | | Obsolete part, For engine with monoshift reverse gear., MD2B/HY., See group 4A |
| 38 | (959664) | 1 | Hexagon screw | | Obsolete part, For engine with monoshift reverse gear., MD2B/HY. |