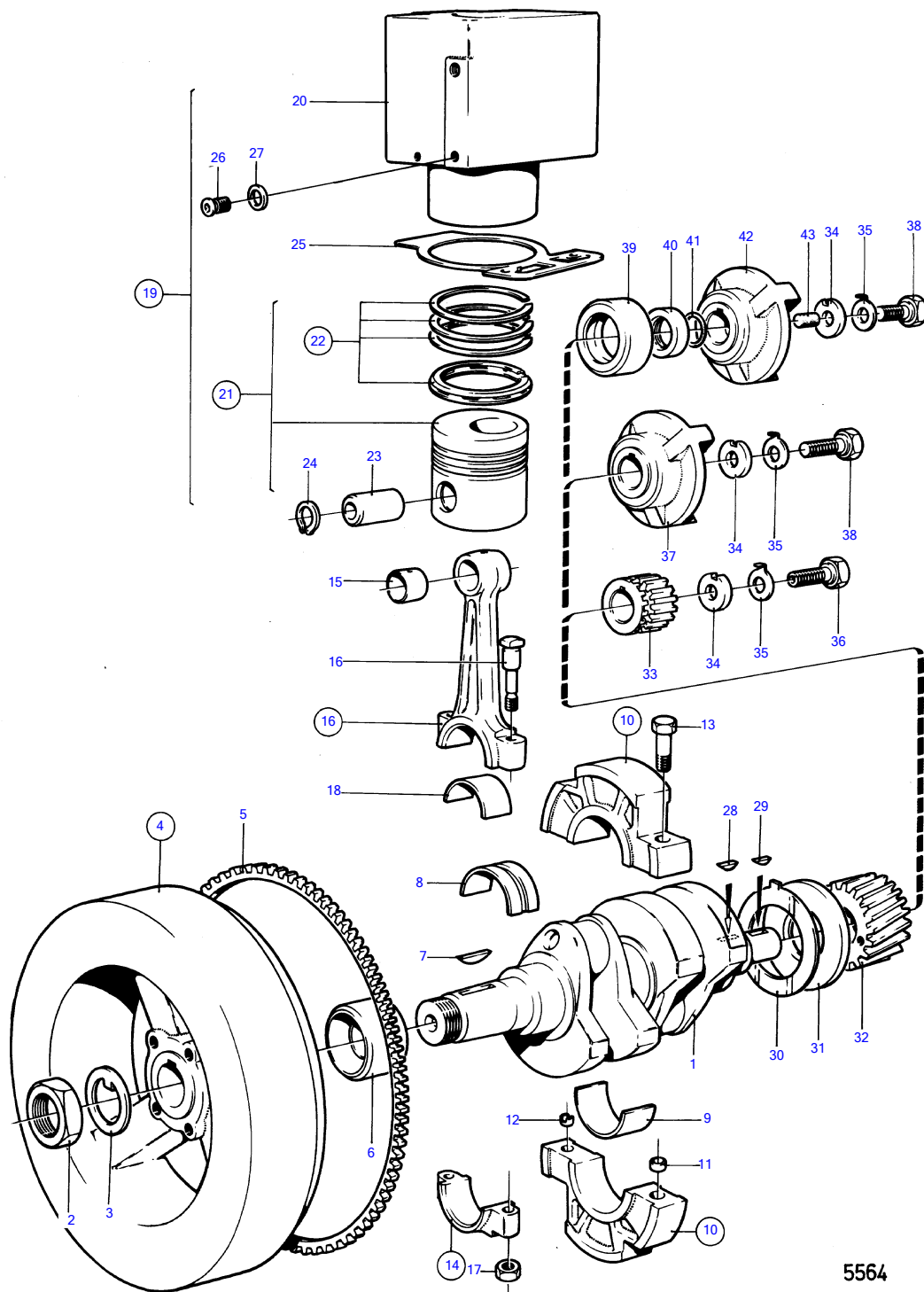


MD2B



MD2B

REF	PART NO.	QTY	DESCRIPTION	SEE SEC.	NOTES
1	(833377)	1	Crankshaft		Obsolete part
2	10764	1	Nut		
3	15192	1	Washer		
4	(833318)	1	Flywheel		Engine with dynastart., Obsolete part
	(833609)	1	Flywheel		Engine with starter motor., Obsolete part
5	(833489)	1	• Gear ring		Obsolete part
6	803356	1	Sealing ring		
			•	13755	
7	(910133)	1	Woodruff key		Obsolete part
8	875483	2	Main bearing kit		Std D
	875485	2	Main bearing kit		0,25mm u.s
	(875486)	2	Main bearing kit		Obsolete part, 0,50mm u.s
	(875487)	2	Main bearing kit		Obsolete part, 0,75mm u.s
9	875484	1	Main bearing kit		Std D
	875488	1	Main bearing kit		0,25mm u.s
	875489	1	Main bearing kit		0,50mm u.s
	(875490)	1	Main bearing kit		Obsolete part, 0,75mm u.s
10	(897223)	1	Bearing		Obsolete part
11	(70415)	1	• Guide sleeve		Obsolete part
12	(301718)	1	• Guide sleeve		Obsolete part
13	955343	2	• Hexagon screw		
14	(807039)	2	Connecting rod		Obsolete part
15	803555	2	• Bushing		
16	(807040)	4	• Connecting rod bolt		Obsolete part
17	463643	4	• Nut		
18	875491	2	Big-end bearing kit		Std D
	875492	2	Big-end bearing kit		0,25mm u.s
	875493	2	Big-end bearing kit		0,50mm u.s
	(875494)	2	Big-end bearing kit		Obsolete part, 0,75mm u.s
19	(875513)	2	Cylinder block	13755	Obsolete part
20		2	• cylinder		
21	875551	2	• Piston kit		Std D
	875579	2	• Piston		0,75mm o.s
22	875498	2	• • Piston ring kit		Std D
	875499	2	• • • Piston ring kit		0,75mm o.s
23	833185	2	• • • Piston pin		
24	914515	4	• • • Snap ring		
25	833497	2	• Spacer		TH=0.2mm
	833498	2	• Spacer		TH=0.3mm
26	(807125)	2	Plug		Obsolete part
27	18811	2	Gasket		
28	(910121)	1	Woodruff key		Obsolete part
29	(910121)	1	Woodruff key		Obsolete part, See group 4A
30	803515	2	Thrust washer		
31	(802502)	1	Support washer		Obsolete part
32	(405025)	1	Gear		Obsolete part
33	(802588)	1	Gear		Obsolete part, For engine with reduction reverse gear., See group 4A
34	(803225)	1	Washer		Obsolete part
35	803226	1	Lock washer		
36	(807041)	1	Lock screw		Obsolete part, For engine with reduction reverse gear., See group 4A
37	(834336)	1	Companion flange		Obsolete part, For engine with monoshift reverse gear., MD2B/HY., See group 4A
38	(959664)	1	Hexagon screw		Obsolete part, For engine with monoshift reverse gear., MD2B/HY.