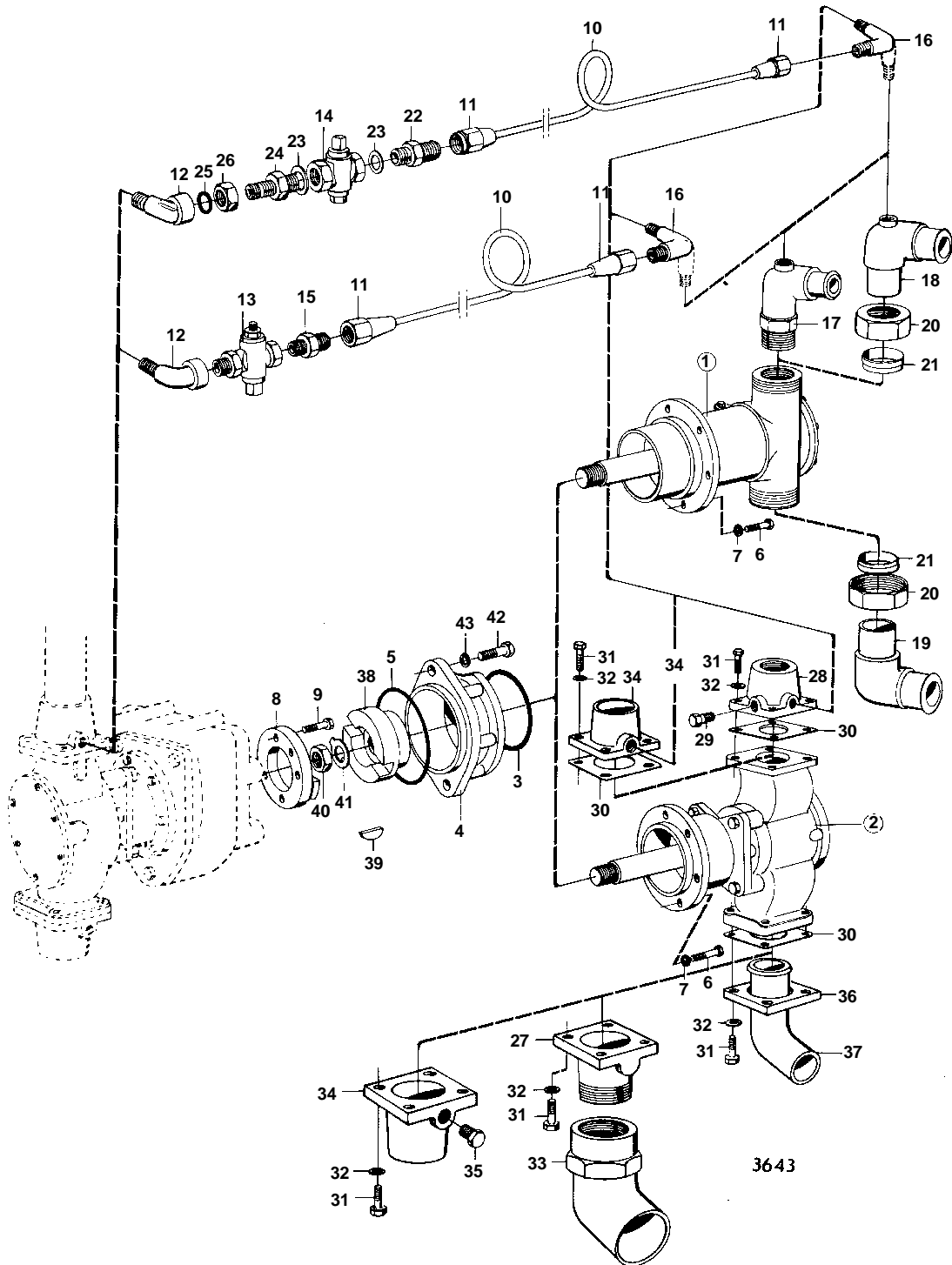


EXCL.TMD120B



**EXCL.TMD120B**

REF	PART NO.	QTY	DESCRIPTION	SEE SEC.	NOTES
1	820692	1	Water pump		NOT INCLUDED IN SET OF TOOLS 821127.
				090-0100	
	822459	1			1" MO-XXXX/10717. REPLAC%E1 PAR 1EA 844280 1EA 844278
				090-0100	
	837371	1	Bilge pump		1" MOXXXX/10718-
				090-0100	
2	820694	1			1 1/4". REPLACED BY 1EA 844280, 1EA 844279.
			COMPONENTS		SEE GROUP 2B
	822787	1	Water pump		1 1/4"
			COMPONENTS		SEE GROUP 2B
3	925095	1	O-ring		
4	820697	1	Intermediate section		
5	420213	1	Seal		
6	940115	5	Screw		
7	942336	5	Spring washer		
8	821071	1	Companion flange		
9	955513	4	Screw		
10	954307	X	Copper tube		L = 300 MM. NOT INCLUDED IN 828244.
	954307	X	Copper tube		L = 455 MM. USED WHEN 2EA COOLING WATER INTAKE 828244 ARE INSTALLED.
11	954323	2	Cap nut		
12	803809	1	Nipple		
13	803808	1	Tap		MO-XXXX/10717
14	837375	1	Tap		MOXXXX/10718-
15	954337	1	Nipple		MO-XXXX/10717
16	954344	1	Nipple		
17	942335	1	Hose attachment		MO-XXXX/10717
18	837272	1	Anchorage		MOXXXX/10718-
19	837274	1	Anchorage		MOXXXX/10718-
20	6606324	2	Nut		MOXXXX/10718-
21	807957	2	Sealing ring		MOXXXX/10718-
22	828005	1	Nipple		MOXXXX/10718-
23	907133	2	Washer		MOXXXX/10718-
24	828003	1	Nipple		MOXXXX/10718-
25	960162	1	O-ring		MOXXXX/10718-
26	828004	1	Nut		MOXXXX/10718-
27		1	FLANGE		LONG HUB.
28	823378	1	Pipe connection		
29	180759	1	Plug		
30	820877	2	Gasket		
31	940114	8	Screw		
32	942336	8	Spring washer		
33		1	HOSE UNION		LONG HUB.
34		1	FLANGE		FOR SAILING BOAT.
35	192134	1	Plug		
36	842029	1	Flange		
37	842028	1	Riser		
38	820960	1	Dog clutch		
	822106	1	Dog clutch		FOR 820692
39	942406	1	Key		
	942405	1	Key		FOR 820692
40	955860	1	Nut		
	940154	1	Nut		FOR 820692
41	942735	1	Lock washer		
	942736	1	Lock washer		FOR 820692
42	940115	2	Screw		
43	942336	2	Spring washer		