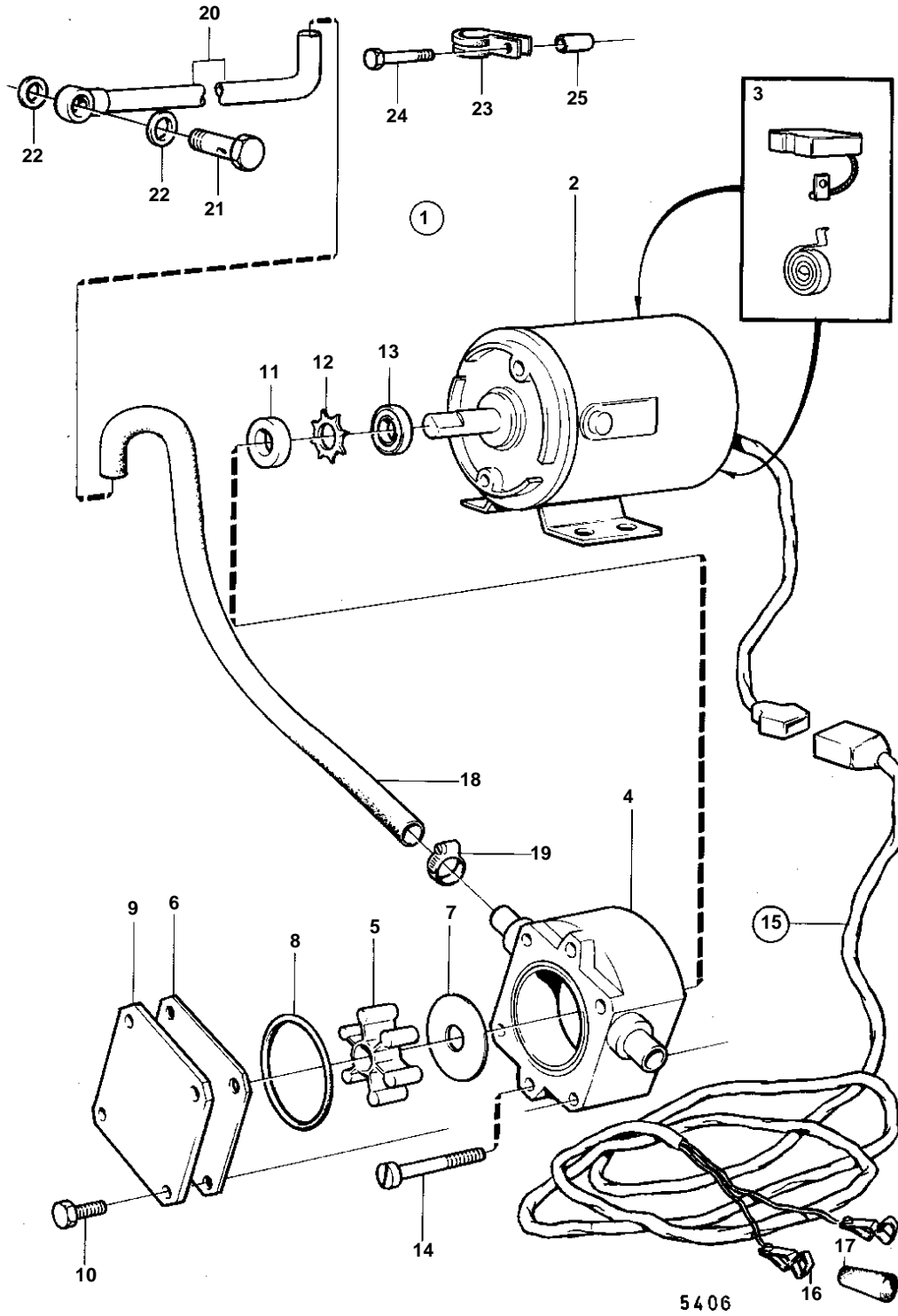


TAMD120B



TAMD120B

REF	PART NO.	QTY	DESCRIPTION	NOTES
1	843410	1	Oil bilge pump	24V
2		1	EL.MOTOR	
3	844014	2	· Carbon brush set	
4	844015	1	· Housing	
5		1	· IMPELLER	IK
6	844017	1	· Wear washer	
7	844016	1	· Wear washer	
8		1	· O-RING	IK
9	844018	1	· Cover	
10	844021	4	· Screw	
11		1	· SEAL RING	IK
12		1	· LOCK WASHER	IK
13	844019	1	· Oil deflector ring	
14	844020	2	· Screw	
15	843113	1	· Cable trunk	
16	844280	2	· · Cable terminal	
17	844279	1	· · Isolation	BLACK
	844278	1	· · Isolation	RED
18	943707	X	· Rubber hose	L = 3000 MM
19	943471	3	· Hose clamp	
	844022	1	Impeller kit	
20	844870	1	Oil scavenging pipe	
21	26013	1	Hollow screw	
22	957181	2	Gasket	
23	941950	1	Clamp	
24	940161	1	Screw	
25	807182	1	Spacer sleeve	