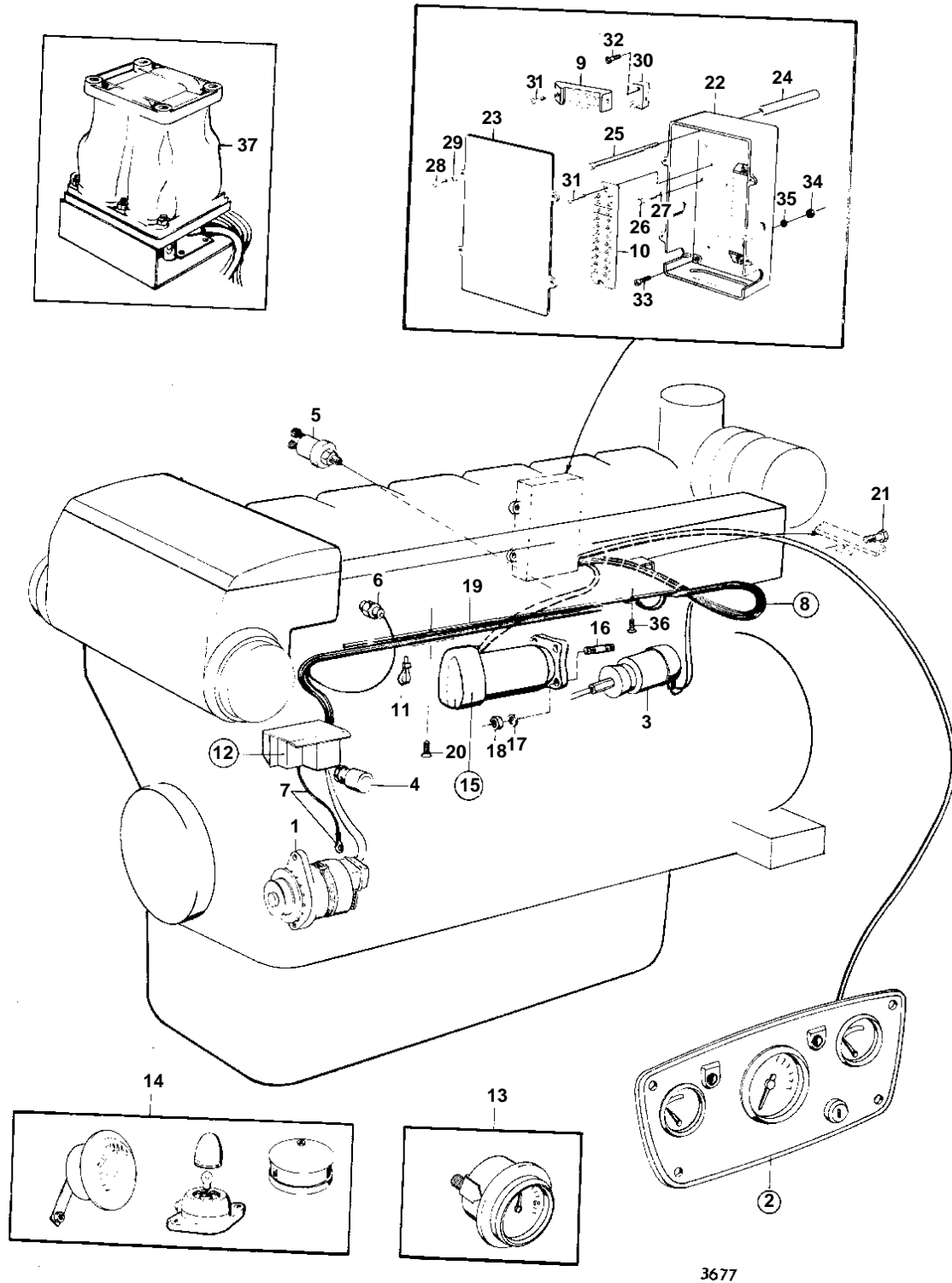


MD120A, TMD120A, TAMD120A



## MD120A,TMD120A,TAMD120A

REF	PART NO.	QTY	DESCRIPTION	SEE SEC.	NOTES
1		1	ALTERNATOR WITH INSTALLATION COMPONENTS		14V 38A, 28V 25A
				030-0500	
		1	ALTERNATOR WITH INSTALLATION COMPONENTS		28V 60A
				030-0650	
		1	ALTERNATOR WITH INSTALLATION COMPONENTS		32V 60A
				030-0650	
		1	GENERATOR WITH INSTALLATION COMPONENTS		24V 38A
				030-0750	
		1	GENERATOR WITH INSTALLATION COMPONENTS		24V 62A
				030-0800	
2	823363	1	Instrument panel		12V. FOR FLYING BRIDGE.
				030-1500	
	823364	1	Instrument panel		24V. FOR FLYING BRIDGE.
				030-1500	
	823365	1	Instrument panel		32V. FOR FLYING BRIDGE.
				030-1500	
	823366	1	Instrument panel		24V. FOR INSTRUMENT PANEL 841094 AND 841095.
				030-1500	
		3	STOP SOLENOID WITH INSTALLATION COMPONENTS		SEE GROUP 2D
4	807703	1	Tachometer sensor		DEUTA. SPEC.867055 ALT.
	1507899	1	Tachometer sensor		VD0
5	881432	1	Pressure sensor		
6	827150	1	Temperature sensor		SEE GROUP 2B
	822858		Thermo monitor		SEE GROUP 9
7			CABLE AND CABLE TERMINALS	030-1950	
8	837012	1	Cable trunk		12V 38A, 24V 25A. FOR FLYING BRIDGE.
	837013	1	Cable trunk		24V 60A, 32V 60A. FOR FLYING BRIDGE.
	837014	1	Cable trunk		24V 38A. FOR FLYING BRIDGE.
	837015	1	Cable trunk		24V 62A. FOR FLYING BRIDGE.
9	942659	X	· Terminal block		24V 25A, 24V 38A
10	942661	X	· Terminal block		
11	948210	X	· Strip clamp		(827353)
12		1	CHARGING RELAY		12V 38A, 24V 25A
				030-0500	
	823766	1	Charge regulator		24V 60A
				030-1350	
	823851	1	Charge regulator		32V 60A
				030-1350	
	238703	1	Charge regulator		24V 38A
	233622	1	Relay		24V 62A
13			EL. HOUR INDICATOR DEVICE		SEE GROUP 9
14			ALARM DEVICE FOR PRESSURE AND TEMP.		SEE GROUP 9
15	870998	1	Starter motor		24V REPL BY 847308
				030-1400	
	847308	1	Starter motor		24V
			COMPONENTS NOT SPEC.		
	870704	1	Starter motor		32V
				030-1400	
16	953486	3	Stud		
17	942336	3	Spring washer		

MD120A,TMD120A,TAMD120A

REF	PART NO.	QTY	DESCRIPTION	SEE SEC.	NOTES
18	955827	3	Nut		
19			CABLE HOLDER		
20	950158	2	Screw		
21	955588	1	Screw		
22	823616	1	Clutch housing		
23	823617	2	Cover		
24	823741	2	Spacer sleeve		EARLY TYPE
25	943254	2	Screw		EARLY TYPE
26	955524	2	Screw		EARLY TYPE
	955524	3	Screw		LATE TYPE
27	941907	2	Spring washer		
28	950047	4	Screw		
29	941906	4	Spring washer		
30	823767	4	Terminal block		24V60A,32V60A,24V62A
31	950011	6	Screw		24V25A, 24V38A
	950011	4	Screw		24V60A,32V60A,24V62A
32	950004	4	Screw		24V60A,32V60A,24V62A
33	950059	1	Screw		24V60A, 32V60A
34	955826	1	Nut		24V60A, 32V60A
35	941907	1	Spring washer		24V60A, 32V60A
36	950160	1	Screw		
37	233933	1	Switch, SERIES AND PARALLELL SWITCH		12V-24V