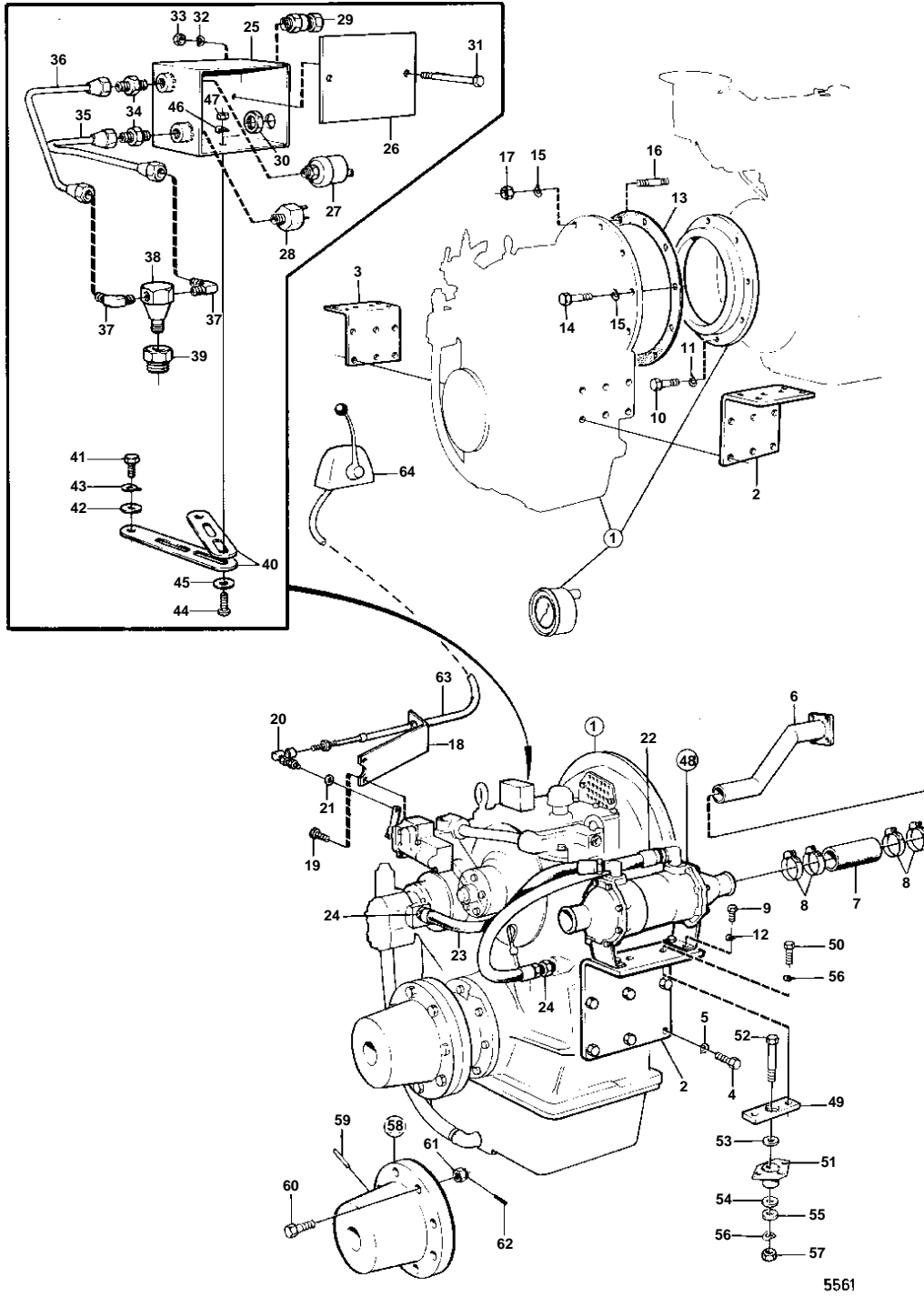


TAMD120B SPEC 867579



TAMD120B SPEC 867579

REF	PART NO.	QTY	DESCRIPTION	SEE SEC.	NOTES
1		1	REV. GEAR, RATIO 1,5:1		
		1	REV. GEAR, RATIO 2:1		MG514
		1	REV. GEAR, RATIO 3:1		MG514
		1	REV. GEAR, RATIO 3,5:1		MG514
		1	REV. GEAR, RATIO 4,1:1		MG514
		1	REV. GEAR, RATIO 4,5:1		MG514
		1	REV. GEAR, RATIO 5,16:1		MG514
		1	REV. GEAR, RATIO 6:1		MG514
			COMPONENTS		
2	824311	1	Bracket		REPLACED BY 831175 + 17276 + 804312 + 819067 + 819068 + 940191 + 2EA 950021.
	837088	1	Bracket		WHEN EXCHANGING REVERSE GEAR MS3B TO MS3C.
3	836123	1	Bracket		REPLACED BY 831175 + 17276 + 804312 + 819067 + 819068 + 940191 + 2EA 950021.
	837068	1	Bracket		WHEN EXCHANGING REVERSE GEAR MS3B TO MS3C.
4	955601	12	Screw		
5	941914	12	Spring washer		
6	844762	1	Coolant pipe		SEE GROUP 2B
7	943372	X	Rubber hose		L = 190 MM SEE GROUP 2B
8	943480	4	Clamp		SEE GROUP 2B
9	940098	4	Screw		
10	955561	8	Screw		
11	940280	8	Spring washer		
12	942336	4	Spring washer		
13	800314	1	Gasket		
14	940134	10	Screw		
15	941909	12	Spring washer		
16	953290	2	Stud		
17	940157	2	Nut		
18	845508	1	Control attachment		
19	940159	2	Screw		
20	842782	1	Ball joint		
21	955892	1	Washer		
22	824487	1	Oil hose		
23	836476	1	Hose		
24	949707	2	Nipple		
25	843224	1	Box		
26	843225	1	Cover		
27	837781	1	Pressure sensor		
28	843813	1	Switch		ALARM
29	881192	1	Cable union		
30	880243	1	Nut		
31	963205	2	Screw		
32	941906	2	Spring washer		
33	955781	2	Nut		
34	954335	1	Fitting		
35	845645	1	Tube		
36	844264	1	Tube		
37	954342	3	Elbow union		
38	942490	1	T-nipple		
39	942919	1	Nipple		
40	965541	4	Bracket		
41	955535	2	Screw		
42	940097	2	Washer		
43	942336	2	Spring washer		
44	955272	2	Screw		
45	960139	4	Washer		
46	941906	2	Spring washer		
47	955781	2	Nut		
48	837099	1	Oil cooler		
				04A-0750	
49	824374	2	Intermediate plate		
50	955589	4	Screw		

TAMD120B SPEC 867579

REF	PART NO.	QTY	DESCRIPTION	SEE SEC.	NOTES
51	836961	2	Rubber element		
52	959827	2	Screw		
53	836325	2	Washer		
54	836963	2	Rubber washer		
55	836962	2	Washer		
56	941912	6	Spring washer		
57	955829	2	Nut		
58	837093	1	Companion flange		WHEN EXCHANGING REVERSE GEAR MS3B TO MS3C.. 1" HOLE FOR PROPELLER SHAFT.
59	907661	2	Pin		
60	955772	8	Screw		
61	955889	8	Castle nut		
62	907881	8	Cotter pin	(907877)	
63	842820	1	Control		
64			CONTROL		SEE GROUP 9