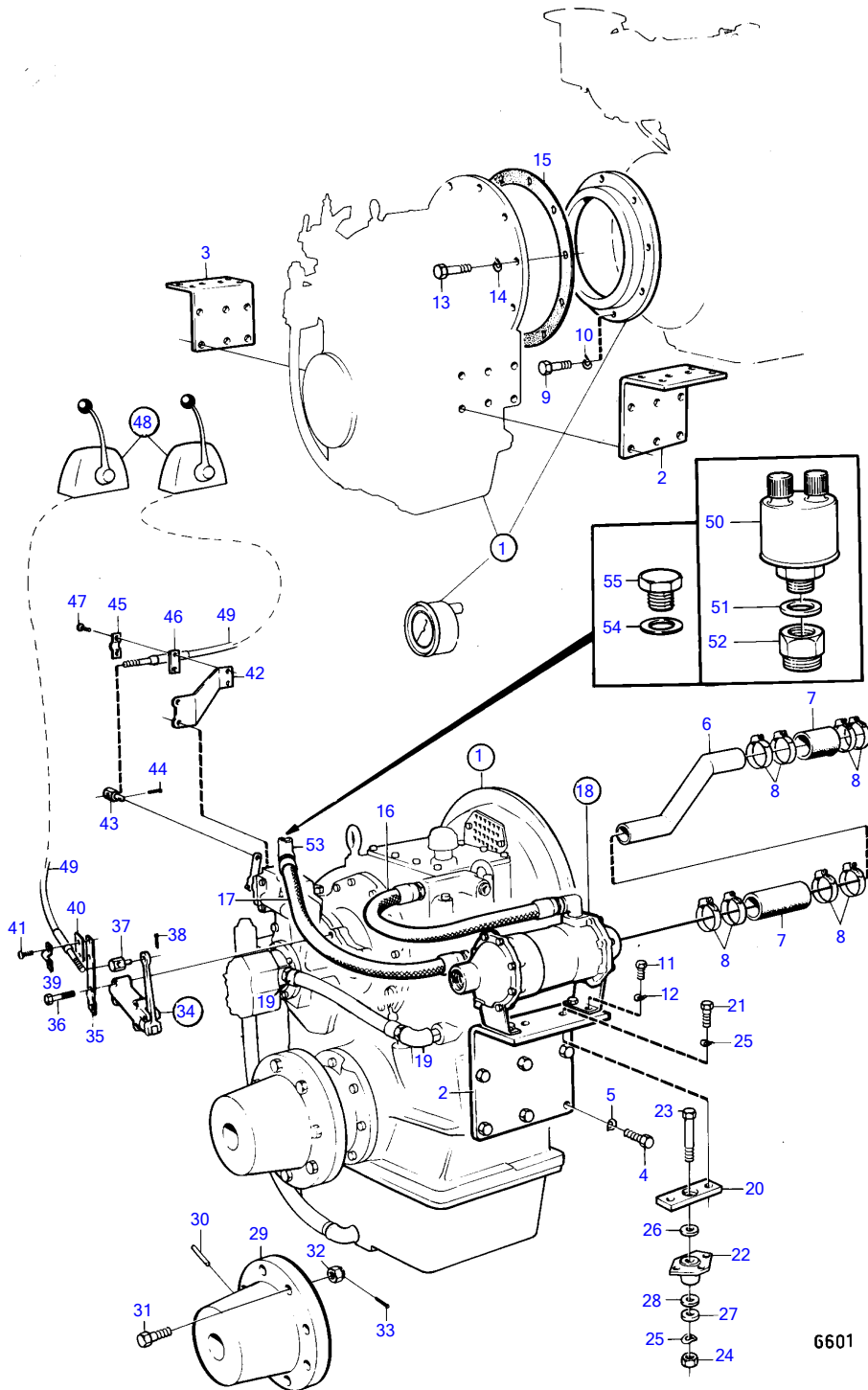


TMD120B



6601

## TMD120B

REF	PART NO.	QTY	DESCRIPTION	SEE SEC.	NOTES
1		1	rev.gear, RATIO1,5:1 • components		Twin Disc MG514
2	(837088)	1	Bracket		Obsolete part
3	(837068)	1	Bracket		Obsolete part
4	(955601)	8	Hexagon screw		Obsolete part
5	941913	8	Spring washer		
6	846330	1	Tube		See group 2B
7	943372	X	Rubber hose		L=190mm
8	943480	4	Hose clamp		
9	955561	8	Hexagon screw		
10	940280	8	Spring washer		
11	940098	4	Hexagon screw		
12	942336	4	Spring washer		
13	940134	10	Hexagon screw		
14	941909	12	Spring washer		
15	800314	1	Gasket		
16	824487	1	Oil hose		
17	836476	1	Hose		
18	837099	1	Oil cooler		
			•	14618	
19	949707	2	Reduction nipple		
20	(824374)	2	Intermediate plate		Obsolete part
21	955589	4	Hexagon screw		
22	836961	2	Rubber cushion		
23	959827	2	Hexagon screw		
24	955829	2	Hexagon nut		
25	941912	6	Spring washer		
26	836325	2	Washer		
27	836962	2	Stop washer		
28	836963	2	Rubber washer		
29	837093	1	Clutch flange		
30	(907661)	2	Taper pin		Obsolete part
31	(955772)	8	Screw		Obsolete part
32	(955889)	8	Castle nut		Obsolete part
33	907881	8	Split pin		
34	(846862)	1	Slip valve		Spec 867012, 867145., Obsolete part
			• components		
35	(846170)	1	Bracket		Obsolete part
36	955528	2	Hexagon screw		
37	804312	1	Cube		
38	17276	1	Split pin		
39	21471054	1	Bracket		
40	819068	1	Washer		
41	950021	2	Cross recessed screw		
42	(836117)	1	Bracket		Obsolete part
43	(813674)	1	Cube		Obsolete part
44	907824	1	Split pin		
45	21471054	1	Bracket		
46	819068	1	Washer		
47	950021	2	Cross recessed screw		
48		1	control		See group 9
49		X	control cable		See group 9
50	837781	1	Oil pressure sensor		See group 3
51	947624	1	Gasket		
52	(843706)	1	Nipple		Obsolete part
53	(844795)	1	Elbow nipple		Obsolete part
54	947624	1	Gasket		
55	960632	1	Plug		