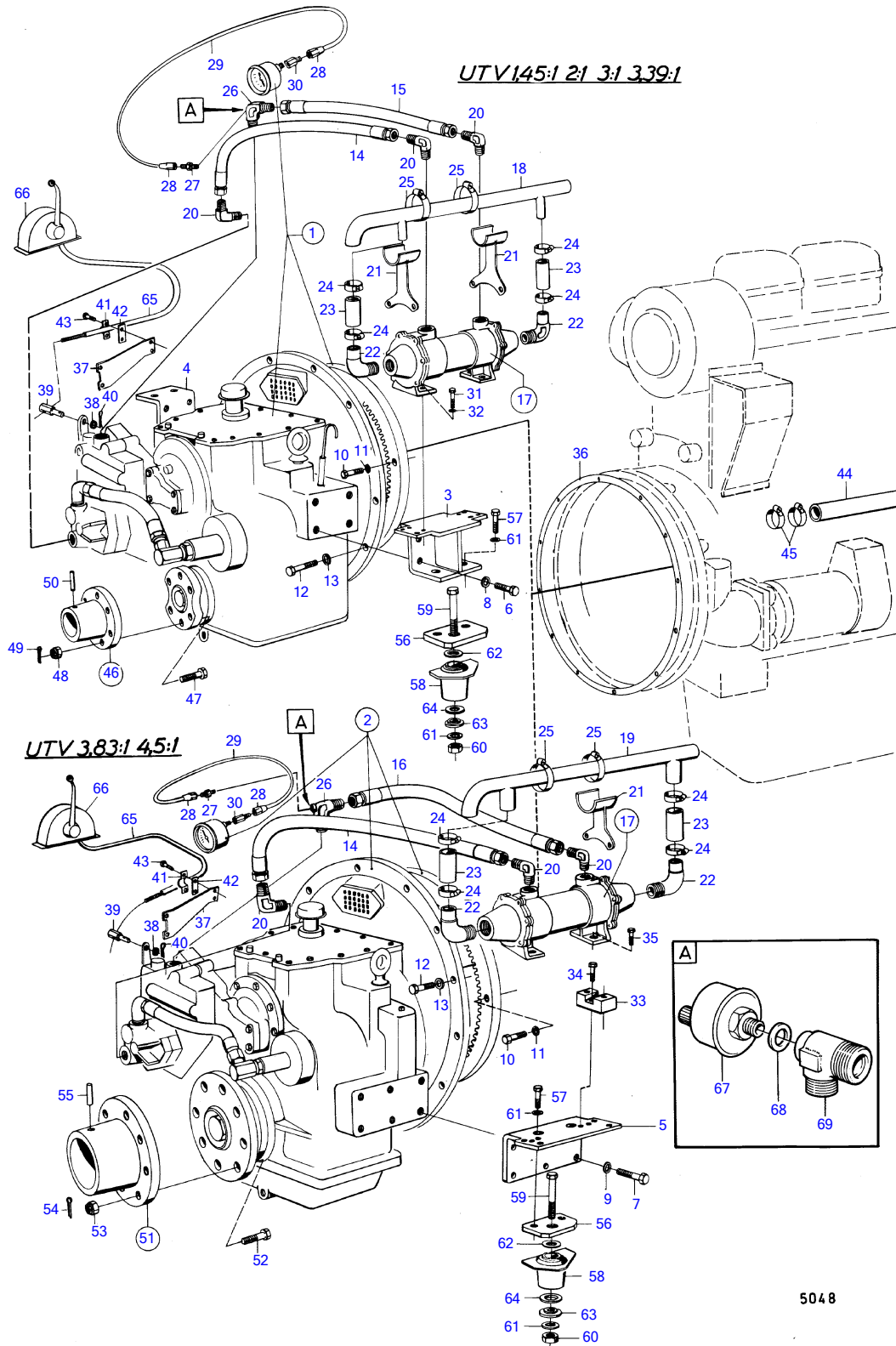


MD120A



MD120A

REF	PART NO.	QTY	DESCRIPTION	SEE SEC.	NOTES
1		1	rev. gear, ratio 1,45:1		MG509, spec 9923
		1	rev. gear, ratio 2:1		MG509, spec 9923, 9925
		1	rev. gear, ratio 2:1		MG509, spec 9923
		1	rev. gear, ratio 3:1		MG509, spec 9923, 9925
		1	rev. gear, ratio 3:1		MG509
		1	rev. gear, ratio 3:1		MG509, class DNV
		1	rev. gear, ratio 3,39:1		MG509, spec 9923
2		1	rev. gear, ratio 4,5:1		MG509, spec 9923
		1	rev. gear, ratio 3,83:1		MG509, spec 9923
			• components		
3	(837062)	1	Bracket		Obsolete part
4	(837060)	1	Bracket		Obsolete part
5	(837098)	2	Bracket		Obsolete part
6	955561	8	Hexagon screw		
7	955589	12	Hexagon screw		
8	940280	8	Spring washer		
9	941912	12	Spring washer		
10	955561	8	Hexagon screw		
11	940280	8	Spring washer		
12	940134	12	Hexagon screw		
13	941909	12	Spring washer		
14	(837096)	1	Lube oil hose		L=680mm, Obsolete part
15	(837120)	1	Lube oil hose		L=575mm, Obsolete part
16	(837121)	1	Hose		Obsolete part, L=520mm
17	837083	1	Oil cooler		
			•	14617	
18	(837084)	1	Coolant pipe		Obsolete part
19	(837110)	1	Coolant pipe		Obsolete part
20	837063	3	Elbow union		
21	(837075)	2	Bracket		Obsolete part
22	(898683)	2	Hose attachment		Obsolete part
23	943370	X	Rubber hose		L=70mm (952977)
24	943478	4	Hose clamp		(951794)
25	943476	2	Hose clamp		(951792)
26	(837064)	1	Elbow union		Obsolete part
27	(954334)	1	Nipple		Obsolete part
28	954320	2	Fitting nut		
29	(954303)	X	Tube		L=5000mm, Obsolete part
30	(836064)	1	Nipple		Obsolete part
31	940113	4	Hexagon screw		
32	941907	4	Spring washer		
33	(837091)	2	Intermediate section		Obsolete part
34	955524	4	Hexagon screw		
35	940135	4	Hexagon screw		
36	800314	1	Gasket		
37	(836117)	1	Bracket		Obsolete part
38	940191	1	Washer		
39	(813674)	1	Cube		Obsolete part
40	907824	1	Split pin		
41	21471054	1	Bracket		
42	819068	1	Washer		
43	950021	2	Cross recessed screw		
44	952977	X	Radiator hose		L=140mm
45	943478	8	Hose clamp		(951794)
46	(837055)	1	Clutch flange		For transport., l.d=30mm, Obsolete part
47	(955750)	6	Hexagon screw		Obsolete part
48	955887	6	Castle nut		
49	907861	6	Split pin		
50	17178	2	Taper pin		
51	837093	1	Clutch flange		For transport., l.d=60mm
52	(955773)	8	Hexagon screw		Obsolete part
53	(955889)	8	Castle nut		Obsolete part
54	907881	8	Split pin		(907877)

MD120A

REF	PART NO.	QTY	DESCRIPTION	SEE SEC.	NOTES
55	(907661)	2	Taper pin		Obsolete part
56	(824374)	2	Intermediate plate		Obsolete part
57	955589	4	Hexagon screw		
58	836961	2	Rubber cushion		
59	959827	2	Hexagon screw		
60	955829	2	Hexagon nut		
61	941912	6	Spring washer		
62	836325	2	Washer		
63	836962	2	Stop washer		
64	836963	2	Rubber washer		
65			control cable		See group 9
66			control		See group 9
67	837781	1	Oil pressure sensor		See group 3
68	957181	1	Gasket		See group 3
69	842717	1	Elbow union		