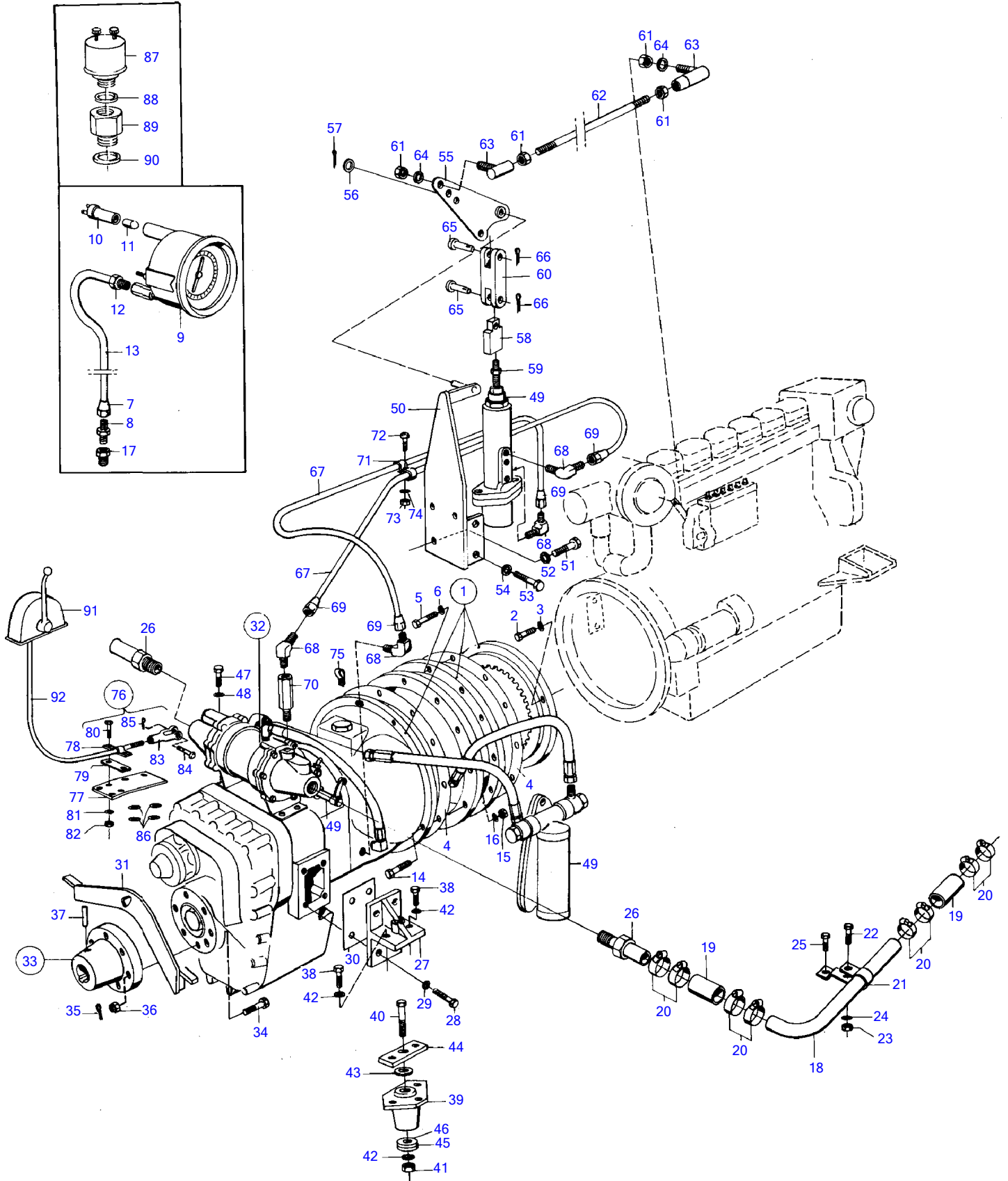


MD120A, TMD120A



5046

MD120A, TMD120A

REF	PART NO.	QTY	DESCRIPTION	SEE SEC.	NOTES
1		1	rev.gear, ratio 2:1		Drilled 30mm., Replaced by 1ea 875671, 1ea 851265, 1ea 851263, 2ea 941807, 1ea 875531, 1ea 839459, 1ea 940097, 1ea 955537.
		1	rev.gear, ratio 2:1		Drilled 30mm., For reverse gear 829458., Replaced by 1ea 875671, 1ea 851265, 1ea 851263, 2ea 941807, 1ea 875531, 1ea 839459, 1ea 940097, 1ea 955537., Early type replaced by 1ea 832598, 2ea 959438.
					MRF 700 LR MK3
		1	rev.gear, ratio 2:1		Drilled 30mm., Early type steering yoke and lever without splines, replaced by 1ea 839377, 1ea 832587, 1ea 832586, 1ea 940162, Early type replaced by 1ea 832598, 2ea 959438., MRF 700 LR MK3
		1	rev.gear, ratio 2:1		Replaced by 1ea 875671, 1ea 851265, 1ea 851263, 2ea 941807, 1ea 875531, 1ea 839459, 1ea 940097, 1ea 955537., MRF 700 LR MK3
		1	rev.gear, ratio 2:1		For reverse gear 829458., Replaced by 1ea 875671, 1ea 851265, 1ea 851263, 2ea 941807, 1ea 875531, 1ea 839459, 1ea 940097, 1ea 955537., Early type replaced by 1ea 832598, 2ea 959438.
					MRF 700 LR MK3
		1	rev.gear, ratio 2:1		Early type steering yoke and lever without splines, replaced by 1ea 839377, 1ea 832587, 1ea 832586, 1ea 940162, Early type replaced by 1ea 832598, 2ea 959438., MRF 700 LR MK3
		1	rev.gear, ratio 3:1		Drilled 30mm., Replaced by 1ea 875671, 1ea 851265, 1ea 851263, 2ea 941807, 1ea 875531, 1ea 839459, 1ea 940097, 1ea 955537., MRF 700 LR MK3
		1	rev.gear, ratio 3:1		Drilled 30mm., For reverse gear 829458., Early type replaced by 1ea 832598, 2ea 959438., MRF 700 LR MK3
		1	rev.gear, ratio 3:1		Replaced by 1ea 875671, 1ea 851265, 1ea 851263, 2ea 941807, 1ea 875531, 1ea 839459, 1ea 940097, 1ea 955537., MRF 700 LR MK3
		1	rev.gear, ratio 3:1		For reverse gear 829458., Replaced by 1ea 875671, 1ea 851265, 1ea 851263, 2ea 941807, 1ea 875531, 1ea 839459, 1ea 940097, 1ea 955537., Early type replaced by 1ea 832598, 2ea 959438.
					MRF LR MK3
		1	rev.gear, ratio 4,78:1		Drilled 30mm., Replaced by 1ea 875671, 1ea 851265, 1ea 851263, 2ea 941807, 1ea 875531, 1ea 839459, 1ea 940097, 1ea 955537., Early type replaced by 1ea 832598, 2ea 959438., MRF 700 LR MK3
		1	rev.gear, ratio 4,78:1		Drilled 30mm., For reverse gear 829458., Replaced by 1ea 875671, 1ea 851265, 1ea 851263, 2ea 941807, 1ea 875531, 1ea 839459, 1ea 940097, 1ea 955537., Early type replaced by 1ea 832598, 2ea 959438.
					MRF 700 LR MK3
		1	rev.gear, ratio 4,78:1		Replaced by 1ea 875671, 1ea 851265, 1ea 851263, 2ea 941807, 1ea 875531, 1ea 839459, 1ea 940097, 1ea 955537., Early type replaced by 1ea 832598, 2ea 959438., MRF 700 LR MK3
		1	rev.gear, ratio 4,78:1		For reverse gear 829458., Replaced by 1ea 875671, 1ea 851265, 1ea 851263, 2ea 941807, 1ea 875531, 1ea 839459, 1ea 940097, 1ea 955537., Early type replaced by 1ea 832598, 2ea 959438.
					MRF 700 LR MK3
		1	rev.gear, ratio 2:1		Drilled 30mm., Early type replaced by 1ea 832598, 2ea 959438., MRF 700
		1	rev.gear, ratio 2:1		Early type replaced by 1ea 832598, 2ea 959438., MRF 700
		1	rev.gear, ratio 3:1		Drilled 30mm., Early type replaced by 1ea 832598, 2ea 959438., MRF 700
		1	rev.gear, ratio 3:1		Early type replaced by 1ea 832598, 2ea 959438., MRF 700
		1	rev.gear, ratio 1,5:1		Drilled 30mm., Early type replaced by 1ea 832598, 2ea 959438., MRF 700
		1	rev.gear, ratio 1,5:1		Early type replaced by 1ea 832598, 2ea 959438., MRF 700
			• components		
2	940134	6	Hexagon screw		
3	941909	6	Spring washer		
4	800314	2	Gasket		
5	940160	12	Hexagon screw		
6	941909	12	Spring washer		
7	954320	1	Fitting nut		
8	(954334)	1	Nipple		Obsolete part

7742190-44-14602

5046

Upd:2011-08-15

MD120A, TMD120A

REF	PART NO.	QTY	DESCRIPTION	SEE SEC.	NOTES
9	(827236)	1	Oil pressure gauge		Obsolete part
10	808175	1	Lamp socket		
11	182059	1	Bulb		24V
12	87698	1	Fitting screw		
13	(954303)	X	Tube		L=5000mm, Obsolete part
14	940160	12	Hexagon screw		
15	940157	12	Hexagon nut		
16	941909	12	Spring washer		
17	180002	1	Nipple		For MRF 700 LR MK3
18	(824438)	1	Coolant pipe		For MRF 700, Obsolete part
	(824451)	1	Tube		Obsolete part
19	943370	X	Rubber hose		L=95mm
20	943478	8	Hose clamp		(951794)
21	(824419)	1	Clamp		Obsolete part
22	955524	1	Hexagon screw		
23	955826	1	Hexagon nut		
24	941907	1	Spring washer		
25	955588	1	Hexagon screw		
26	942315	2	Hose nipple		
27	(815731)	2	Bracket		For MRF 700 LR MK3, Obsolete part
	(824367)	2	Bracket		Early type steering yoke and lever with splines., Obsolete part
28	955589	8	Hexagon screw		For MRF 700 LR MK3
29	955953	8	Toothed washer		For MRF 700 LR MK3
30	(817654)	2	Gasket		For MRF 700 LR MK3, Obsolete part
31		1			For MRF 700
32	(821082)	1	Oil cooler		Obsolete part
			.	14616	
33	(820933)	1	Clutch flange		For MRF 700, Obsolete part
	(820934)	1	Clutch flange		For MRF 700 LR MK3, Obsolete part
34	955696	6	Hexagon screw		For MRF 700
	955739	6	Hexagon screw		For MRF 700 LR MK3
35	907834	6	Split pin		For MRF 700
	907861	6	Split pin		For MRF 700 LR MK3
36	955883	6	Castle nut		For MRF 700
	955886	6	Castle nut		For MRF 700 LR MK3
37	(17186)	1	Taper pin		For MRF 700, Obsolete part
	(907662)	2	Pin		For MRF 700 LR MK3, Obsolete part
38	955589	4	Hexagon screw		Early type steering yoke and lever with splines.
39	836961	2	Rubber cushion		Early type steering yoke and lever with splines.
40	959827	2	Hexagon screw		Early type steering yoke and lever with splines.
41	955829	2	Hexagon nut		Early type steering yoke and lever with splines.
42	941912	6	Spring washer		Early type steering yoke and lever with splines.
43	836325	2	Washer		Early type steering yoke and lever with splines.
44		2			Early type steering yoke and lever with splines.
45	836962	2	Stop washer		Early type steering yoke and lever with splines.
46	836963	2	Rubber washer		Early type steering yoke and lever with splines.
47	(101253)	4	Screw		Obsolete part
	(101253)	2	Screw		Late type with ground cable on steering lever., Obsolete part
		2			Late type with ground cable on steering lever.
48	942336	4	Spring washer		
49		1			
			sequent control		
50	(821145)	1	Bracket		Spec 867376 MO1437-.spec 867379 MO2208-. Obsolete part
51	955534	3	Hexagon screw		Spec 867376 MO1437-.spec 867379 MO2208-. Obsolete part
52	942336	3	Spring washer		Spec 867376 MO1437-.spec 867379 MO2208-. Obsolete part
53	(101152)	2	Screw		Spec 867376 MO1437-.spec 867379 MO2208-. Obsolete part
54	(955949)	2	Toothed washer		Spec 867376 MO1437-.spec 867379 MO2208-. Obsolete part
55	(809489)	1	Lever		Spec 867376 MO1437-.spec 867379 MO2208-. Obsolete part
56	955896	1	Washer		Spec 867376 MO1437-.spec 867379 MO2208-. Obsolete part
57	907849	1	Split pin		Spec 867376 MO1437-.spec 867379 MO2208-. Obsolete part
58		1			Spec 867376 MO1437-.spec 867379 MO2208-. Obsolete part
59	(19874)	1	Nut		Spec 867376 MO1437-.spec 867379 MO2208-. Obsolete part
60		1			Spec 867376 MO1437-.spec 867379 MO2208-. Obsolete part

7742190-44-14602

5046

Upd:2011-08-15

MD120A, TMD120A

REF	PART NO.	QTY	DESCRIPTION	SEE SEC.	NOTES
61	955846	4	Hexagon nut		Spec 867376 MO1437-.spec 867379 MO2208-.
62	(953972)	1	Control rod		Spec 867376 MO1437-.spec 867379 MO2208-., Obsolete part
63	10844	2	Angle ball joint		Spec 867376 MO1437-.spec 867379 MO2208-.
64	941906	2	Spring washer		Spec 867376 MO1437-.spec 867379 MO2208-.
65	(913112)	2	Clevis pin		Spec 867376 MO1437-.spec 867379 MO2208-., Obsolete part
66	907824	2	Split pin		Spec 867376 MO1437-.spec 867379 MO2208-.
67	(954316)	X	Tube		Spec 867376 MO1437-.spec 867379 MO2208-., L=2500mm, Obsolete part
68	(954344)	4	Elbow nipple		Obsolete part, Spec 867376 MO1437-.spec 867379 MO2208-.
69	954323	4	Fitting nut		Spec 867376 MO1437-.spec 867379 MO2208-.
70	(827635)	1	Nipple		Spec 867376 MO1437-.spec 867379 MO2208-., Obsolete part
71	404279	4	Attaching clamp		Spec 867376 MO1437-.spec 867379 MO2208-.
72	950048	2	Cross recessed screw		Spec 867376 MO1437-.spec 867379 MO2208-.
73	955825	2	Hexagon nut		Spec 867376 MO1437-.spec 867379 MO2208-.
74	941906	2	Spring washer		Spec 867376 MO1437-.spec 867379 MO2208-.
75	18319	2	Clamp		Spec 867376 MO1437-.spec 867379 MO2208-.
76	(823956)	1	Anchorage		Obsolete part
77		1	• bracket		
78	21471054	1	• Bracket		
79	819068	1	• Washer		
80	192010	2	• Cross recessed screw		
81	(955946)	2	• Toothed washer		Obsolete part
82	955844	2	• Hexagon nut		
83	(836472)	1	• Fork		Obsolete part
84		1	• • clevis pin		
85	(907819)	1	• Split pin		Obsolete part
86	940097	4	Washer		
87	837781	1	Oil pressure sensor		See group 3
88	957181	1	Gasket		See group 3
89	(842714)	1	Nipple		Obsolete part
90	957180	1	Gasket		
91			control		See group 9
92			control cable		See group 9