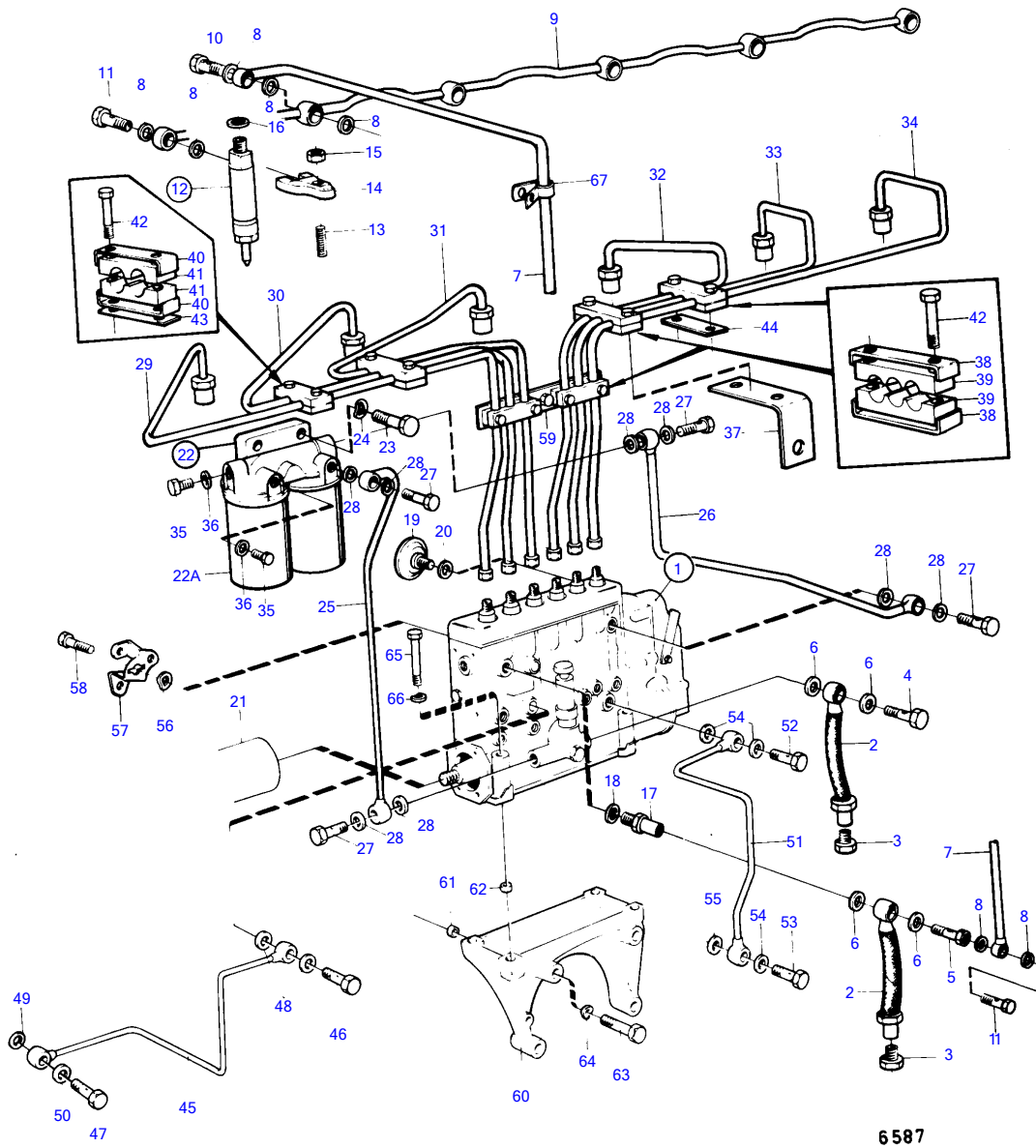


TMD120B



TMD120B

REF	PART NO.	QTY	DESCRIPTION	SEE SEC.	NOTES
1	(846222)	1	Injection pump		Obsolete part
			.	14534	
2	3830312	2	Hose		
3	22753	2	Nipple		
4	25167	1	Hollow screw		
5	16496	1	Hollow screw		
6	969011	4	Gasket		(18671)
7	844543	1	Leak-off line		
8	946729	15	Gasket		
9	822564	1	Leak-off line		
10	966834	1	Hollow screw		(74034)
11	74033	6	Hollow screw		MO80263/XXXXX-89183/XXXXX.
12	470115	6	Injector		
	3803246	6	Injector, exch		
			.	14540	
13	470560	6	Stud		
14	469797	6	Yoke		
15	961992	6	Hexagon nut		
16	948965	6	Sealing ring		
17	35096	1	Overflow valve		
18	18671	1	Gasket		
19	466398	1	Pressure equalizer		
20	18671	1	Gasket		
21			drive device, fuel injection pump	14529	
22	471172	1	Filter housing		
			.	14520	
22A	466987	2	Fuel filter		
22			.	14520	
23	940162	2	Hexagon screw		
24	942336	2	Spring washer		
25	845437	1	Fuel pipe		
26	822591	1	Fuel pipe		
27	25167	4	Hollow screw		
28	18671	8	Gasket		
29	844551	1	Delivery pipe		Replaced by delivery pipe kit 3875228
30	844552	1	Delivery pipe		Replaced by delivery pipe kit 3875228
31	844553	1	Delivery pipe		Replaced by delivery pipe kit 3875228
32	844554	1	Delivery pipe		Replaced by delivery pipe kit 3875228
33	844555	1	Delivery pipe		Replaced by delivery pipe kit 3875228
34	844556	1	Delivery pipe		Replaced by delivery pipe kit 3875228
35	960630	3	Plug		
36	18671	3	Gasket		
37	844659	2	Attaching plate		See group 2B
38	414346	10	Attaching clamp		
39	414347	10	Attaching clamp		
40	414344	2	Attaching clamp		
41	414345	2	Attaching clamp		
42	955247	12	Hexagon screw		
43	414736	1	Nut plate		
44	414735	1	Nut plate		
45	423393	1	Pressure oil line		
46	48634	1	Hollow screw		
47	837709	1	Hollow screw		See group 2B
48	947281	2	Gasket		
49	18666	1	Gasket		
50	11994	1	Gasket		
51	422246	1	Return pipe		
52	25167	1	Hollow screw		
53	954394	1	Hollow screw		
54	18671	3	Gasket		
55	11998	1	Gasket		
56	941906	1	Spring washer		See group 2D

