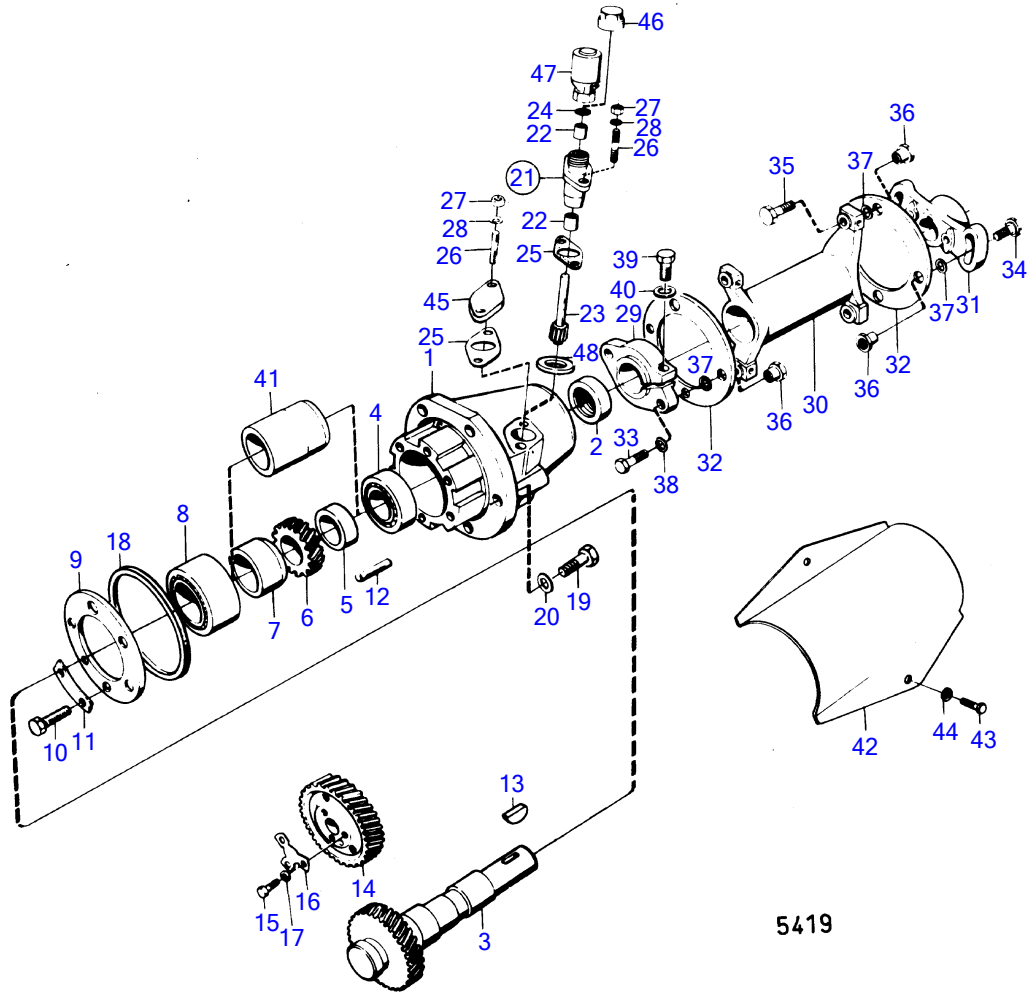


TAMD120B



## TAMD120B

| REF | PART NO. | QTY | DESCRIPTION          | SEE SEC. | NOTES                      |
|-----|----------|-----|----------------------|----------|----------------------------|
| 1   | 421074   | 1   | Bearing housing      |          |                            |
| 2   | 941580   | 1   | Sealing ring         |          |                            |
| 3   | 422073   | 1   | Shaft                |          |                            |
| 4   | 11013    | 1   | Ball bearing         |          |                            |
| 8   | 181577   | 1   | Ball bearing         |          |                            |
| 9   | 423074   | 1   | Washer               |          |                            |
| 10  | 940100   | 6   | Hexagon screw        |          |                            |
| 11  | 421415   | 3   | Lock washer          |          |                            |
| 12  | 950586   | 1   | Pin                  |          |                            |
| 13  | 422329   | 1   | Woodruff key         |          |                            |
| 14  | 423079   | 1   | Gear                 |          | See group 2A               |
|     |          |     | Bulletin 45-01       | 45-01-EN | Timing Gears, 71, 100, 121 |
| 15  | 102056   | 3   | Hexagon screw        |          |                            |
| 16  | 467052   | 1   | Lock washer          |          |                            |
| 17  | 467055   | 3   | Washer               |          |                            |
| 18  | 423123   | 1   | Sealing ring         |          |                            |
| 19  | 955525   | 4   | Hexagon screw        |          | L=25mm                     |
|     | 955527   | 1   | Hexagon screw        |          | L=57mm                     |
| 20  | 941907   | 5   | Spring washer        |          |                            |
| 25  | 422130   | 1   | Gasket               |          |                            |
| 26  | 953224   | 2   | Stud                 |          |                            |
| 27  | 955825   | 2   | Hexagon nut          |          |                            |
| 28  | 941906   | 2   | Spring washer        |          |                            |
| 29  | 422184   | 1   | Companion flange     |          |                            |
| 30  | 423134   | 1   | Intermediate section |          |                            |
| 31  | 468844   | 1   | Companion flange     |          |                            |
| 32  | 417512   | 6   | Dog clutch disc      |          |                            |
| 33  | 468853   | 2   | Screw                |          |                            |
| 34  | 468847   | 2   | Screw                |          |                            |
| 35  | 468853   | 4   | Screw                |          |                            |
| 36  | (468845) | 8   | Nut                  |          | Obsolete part              |
| 37  | 942336   | 8   | Spring washer        |          |                            |
| 38  | 942336   | 2   | Spring washer        |          |                            |
| 39  | 468848   | 1   | Screw                |          |                            |
| 40  | 955896   | 1   | Washer               |          | (906828)                   |
| 41  | (467347) | 1   | Spacer sleeve        |          | Obsolete part              |
| 42  | 823010   | 1   | Protecting plate     |          |                            |
| 43  | 940113   | 2   | Hexagon screw        |          |                            |
| 44  | 941907   | 2   | Spring washer        |          |                            |
| 45  | 422643   | 1   | Cover                |          |                            |
| 47  |          |     |                      |          |                            |