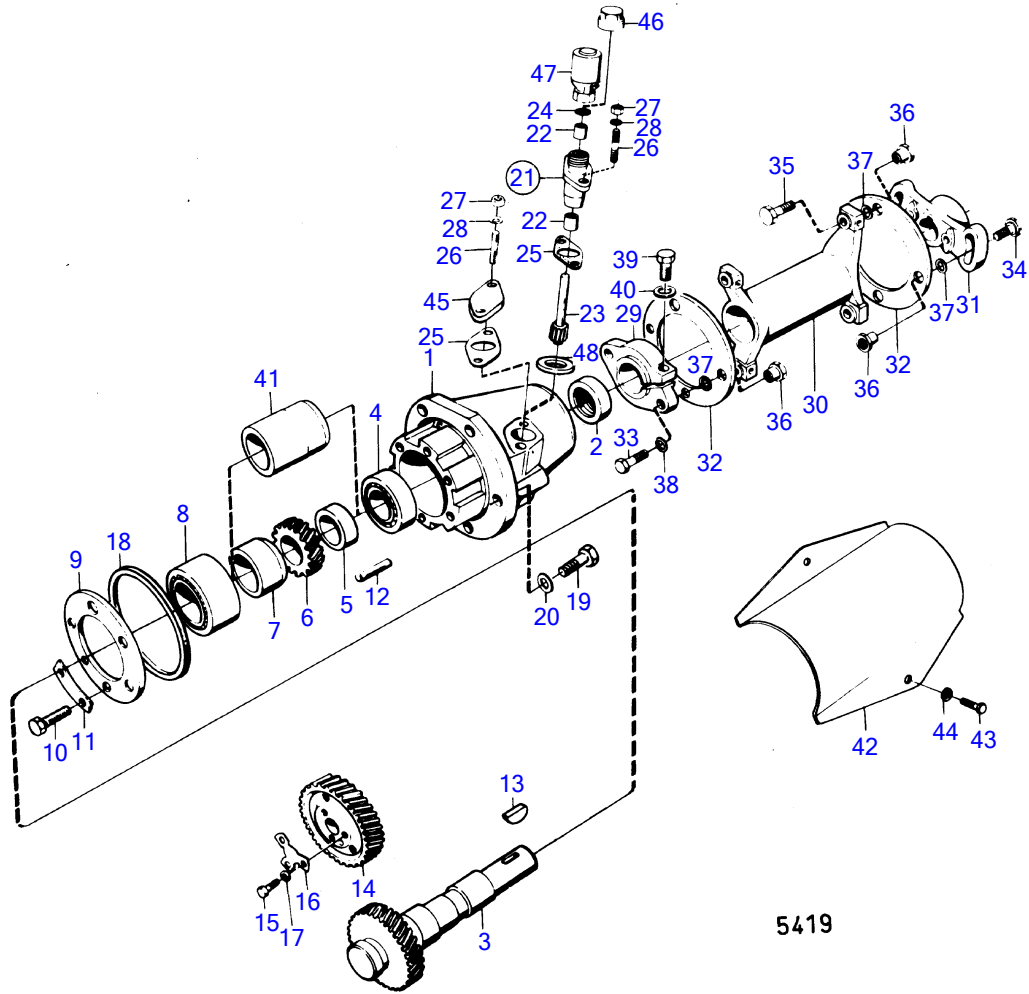


TMD120A



TMD120A

| REF | PART NO. | QTY | DESCRIPTION | SEE SEC. | NOTES |
|-----|----------|-----|---------------------------|----------|----------------------------|
| 1 | 421074 | 1 | Bearing housing | | |
| 2 | 941580 | 1 | Sealing ring | | |
| 3 | 422073 | 1 | Shaft | | |
| 4 | 11013 | 1 | Ball bearing | | |
| 5 | | 1 | | | Replaced by 837364. |
| 6 | 421088 | 1 | Stop ring | | Replaced by 837364. |
| 7 | 421083 | 1 | Stop ring | | Replaced by 837364. |
| 8 | 181577 | 1 | Ball bearing | | |
| 9 | 423074 | 1 | Washer | | |
| 10 | 940100 | 6 | Hexagon screw | | |
| 11 | 421415 | 3 | Lock washer | | |
| 12 | 950586 | 1 | Pin | | |
| 13 | 422329 | 1 | Woodruff key | | |
| 14 | 423079 | 1 | Gear | | See group 2A |
| | | | Bulletin 45-01 | 45-01-EN | Timing Gears, 71, 100, 121 |
| 15 | 102056 | 3 | Hexagon screw | | |
| 16 | 467052 | 1 | Lock washer | | |
| 17 | 467055 | 3 | Washer | | |
| 18 | 423123 | 1 | Sealing ring | | |
| 19 | 955525 | 4 | Hexagon screw | | L=25mm |
| | 955527 | 1 | Hexagon screw | | L=57mm |
| 20 | 941907 | 5 | Spring washer | | |
| 21 | (823474) | 1 | Bearing housing | | Obsolete part |
| 22 | (191776) | 2 | • Bearing bushing | | Obsolete part |
| 23 | 422125 | 1 | Stub axle | | |
| 24 | 943821 | 1 | Sealing ring | | |
| 25 | 422130 | 1 | Gasket | | |
| 26 | 953224 | 2 | Stud | | |
| 27 | 955825 | 2 | Hexagon nut | | |
| 28 | 941906 | 2 | Spring washer | | |
| 29 | 422184 | 1 | Companion flange | | |
| 30 | 423134 | 1 | Intermediate section | | |
| 31 | 422461 | 1 | Companion flange | | |
| 32 | 417512 | 6 | Dog clutch disc | | |
| 33 | (955675) | 2 | Hexagon screw | | Obsolete part |
| 34 | 422469 | 2 | Hexagon screw | | |
| 35 | 955676 | 4 | Hexagon screw, hub puller | | |
| 36 | 422187 | 8 | Nut | | |
| 37 | 417514 | 8 | Washer | | |
| 38 | 940097 | 2 | Washer | | |
| 39 | 940160 | 1 | Hexagon screw | | |
| 40 | 955896 | 1 | Washer | | |
| 42 | 823010 | 1 | Protecting plate | | |
| 43 | 940113 | 2 | Hexagon screw | | |
| 44 | 941907 | 2 | Spring washer | | |
| 46 | (822723) | 1 | Protecting cover | | Alt, Obsolete part |
| 47 | | 1 | rev counter sending unit | | See group 3 |
| 48 | 925054 | 1 | O-ring | | |