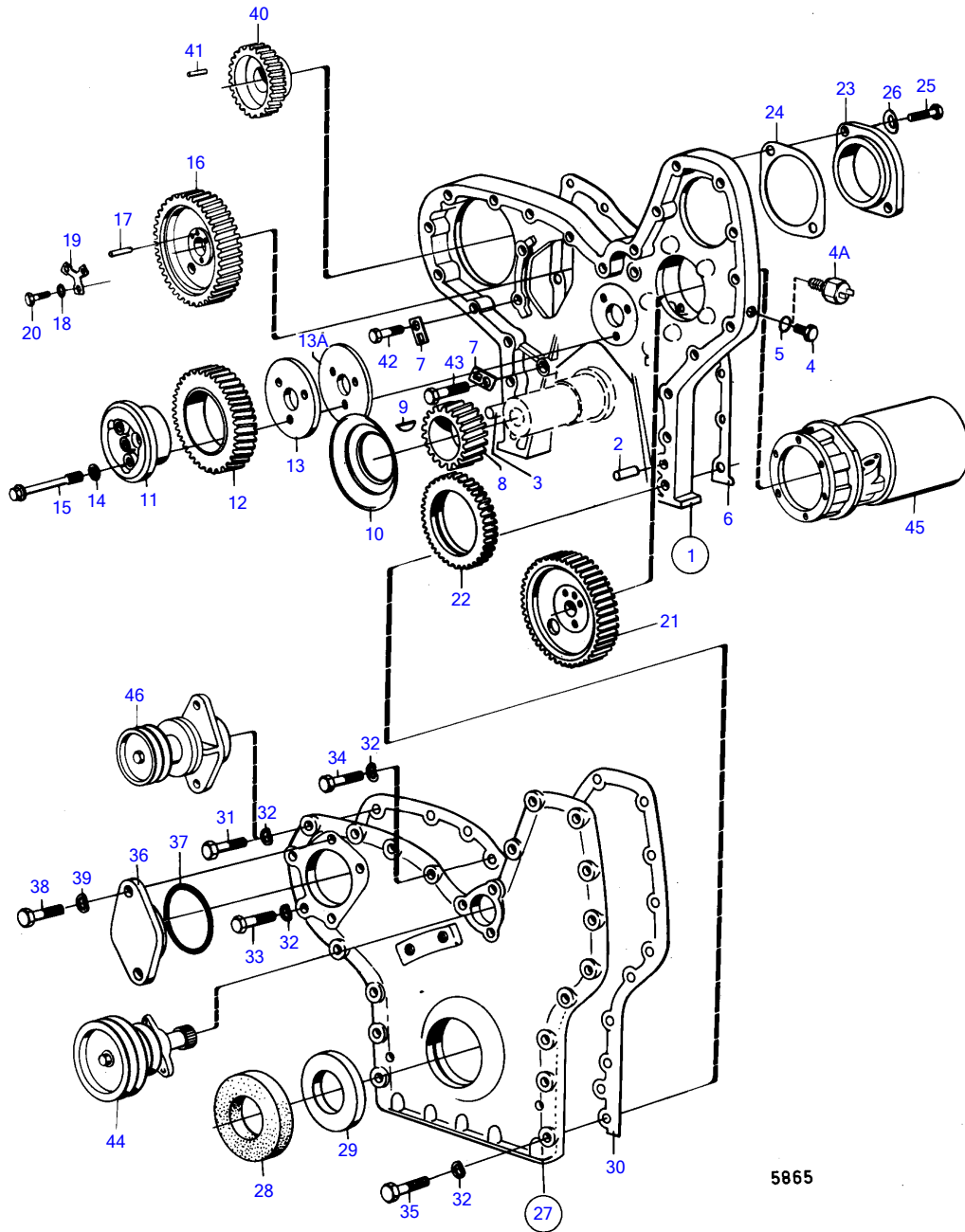


MD120A



5865

## MD120A

REF	PART NO.	QTY	DESCRIPTION	SEE SEC.	NOTES
1	422622	1	Timing gear casing		
2	941510	1	• Pin		
3	941511	1	• Pin		
4	943681	1	Plug		
5	925059	1	O-ring		
6	468557	1	Gasket		
7	(941572)	5	Tab washer		Obsolete part
8	423080	1	Gear	14474	
			Bulletin 45-01	45-01-EN	Timing Gears, 71, 100, 121
9	422253	1	Woodruff key	14474	
10	423177	1	Oil deflector	14474	
11		1	spindle		MB20B MOXXXX/86638-., MO-11390/XXXX MO11391/XXXX-
	467463	1	Bearing spindle		
12		1	idler gear		MB20B MOXXXX/86638-., MO-11390/XXXX MO11391/XXXX-
	467461	1	Idler gear		
			Bulletin 45-01	45-01-EN	Timing Gears, 71, 100, 121
13		1	thrust washer		For engine with AQ drive 100, 250 or reduction reverse gear., MO-11390/XXXX MO11391/XXXX-
	467529	1	Thrust washer		
13A	467528	1	Bearing shield		Incl in gasket kit 875534 (compression 8,4:1)., MO11391/XXXX- MO-11390/XXXX
14	942180	1	Disc spring		
15	468738	3	Screw		
16	423079	1	Gear	14476	
			Bulletin 45-01	45-01-EN	Timing Gears, 71, 100, 121
17	950588	1	Pin	14476	
18	467055	3	Washer	14476	
19	467052	1	Lock washer	14476	
20	940128	3	Hexagon screw	14476	
21	423079	1	Gear, injection pump		See group 2C
			Bulletin 45-01	45-01-EN	Timing Gears, 71, 100, 121
22	422047	1	Gear	14485	
23	420183	1	Cover		
24	820751	1	Gasket		
25	940115	2	Hexagon screw		
26	942336	2	Spring washer		
27	823637	1	Cover		
28	941666	1	• Sealing ring		
29	837851	1	• Sealing ring		
30	422626	1	Gasket		
31	940162	10	Hexagon screw		
32	942336	20	Spring washer		
33	955538	2	Hexagon screw		
34	955541	2	Hexagon screw		
35	955544	6	Hexagon screw		
36	420183	1	Cover		
37	420213	1	Seal		
38	940115	2	Hexagon screw		
39	942336	2	Spring washer		
40	820957	1	Gear, sea water pump		For BB115 with Volvo Penta reduction reverse gear., See group 2B
41	950564	1	• Pin		See group 2B
42	941939	4	Screw		
43	955537	1	Hexagon screw		
44			circulation pump		See group 2B
45			injection pump		See group 2C
46			extra drive take off		See group 9