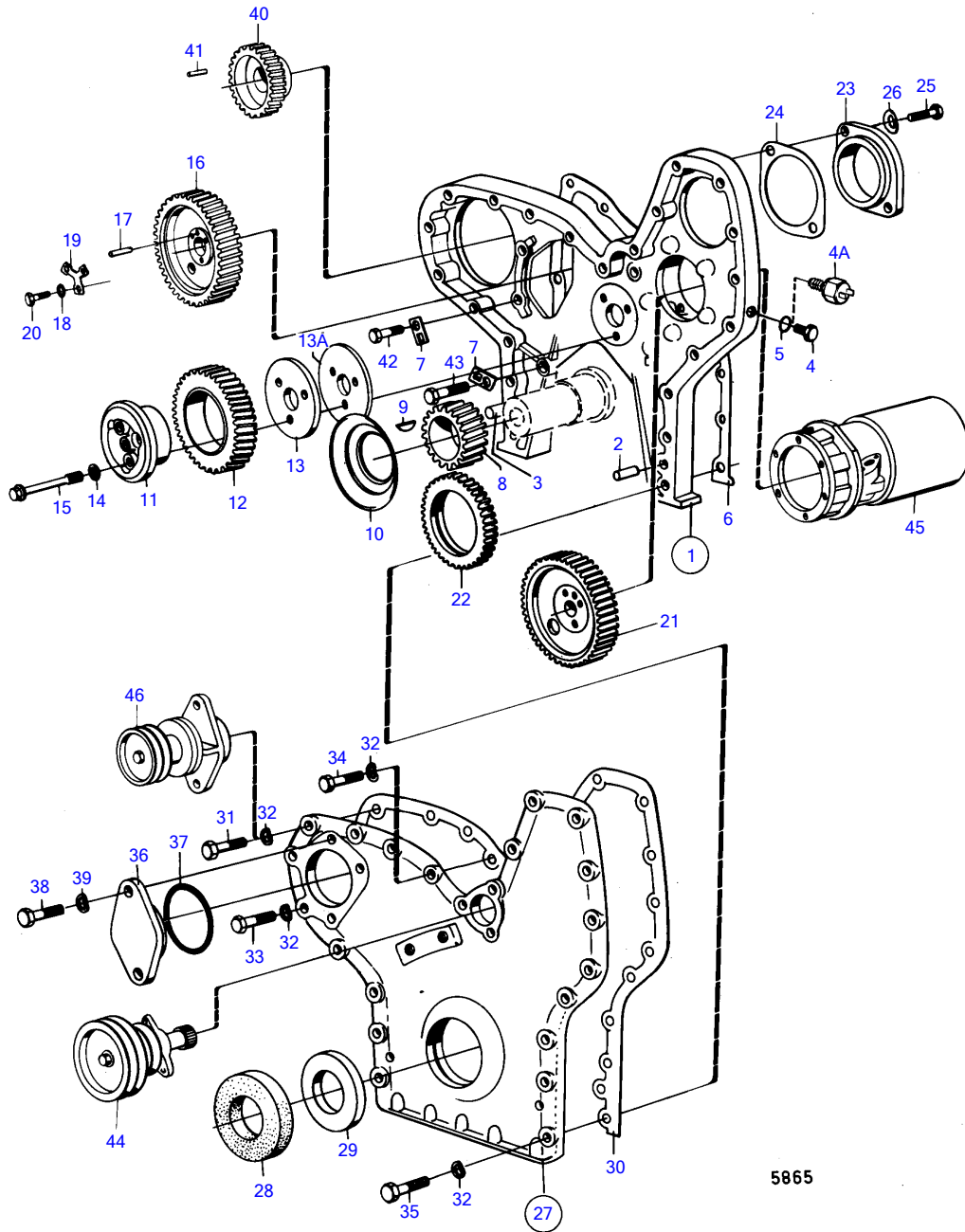


MD120A



5865

MD120A

| REF | PART NO. | QTY | DESCRIPTION | SEE SEC. | NOTES |
|-----|----------|-----|----------------------|----------|---|
| 1 | 422622 | 1 | Timing gear casing | | |
| 2 | 941510 | 1 | • Pin | | |
| 3 | 941511 | 1 | • Pin | | |
| 4 | 943681 | 1 | Plug | | |
| 5 | 925059 | 1 | O-ring | | |
| 6 | 468557 | 1 | Gasket | | |
| 7 | (941572) | 5 | Tab washer | | Obsolete part |
| 8 | 423080 | 1 | Gear | 14474 | |
| | | | Bulletin 45-01 | 45-01-EN | Timing Gears, 71, 100, 121 |
| 9 | 422253 | 1 | Woodruff key | 14474 | |
| 10 | 423177 | 1 | Oil deflector | 14474 | |
| 11 | | 1 | spindle | | MB20B MOXXXX/86638-., MO-11390/XXXX |
| | 467463 | 1 | Bearing spindle | | MO11391/XXXX- |
| 12 | | 1 | idler gear | | MB20B MOXXXX/86638-., MO-11390/XXXX |
| | 467461 | 1 | Idler gear | | MO11391/XXXX- |
| | | | Bulletin 45-01 | 45-01-EN | Timing Gears, 71, 100, 121 |
| 13 | | 1 | thrust washer | | For engine with AQ drive 100, 250 or reduction reverse gear., MO-11390/XXXX |
| | 467529 | 1 | Thrust washer | | MO11391/XXXX- |
| 13A | 467528 | 1 | Bearing shield | | Incl in gasket kit 875534 (compression 8,4:1)., MO11391/XXXX- |
| 14 | 942180 | 1 | Disc spring | | MO-11390/XXXX |
| 15 | 468738 | 3 | Screw | | |
| 16 | 423079 | 1 | Gear | 14476 | |
| | | | Bulletin 45-01 | 45-01-EN | Timing Gears, 71, 100, 121 |
| 17 | 950588 | 1 | Pin | 14476 | |
| 18 | 467055 | 3 | Washer | 14476 | |
| 19 | 467052 | 1 | Lock washer | 14476 | |
| 20 | 940128 | 3 | Hexagon screw | 14476 | |
| 21 | 423079 | 1 | Gear, injection pump | | See group 2C |
| | | | Bulletin 45-01 | 45-01-EN | Timing Gears, 71, 100, 121 |
| 22 | 422047 | 1 | Gear | 14485 | |
| 23 | 420183 | 1 | Cover | | |
| 24 | 820751 | 1 | Gasket | | |
| 25 | 940115 | 2 | Hexagon screw | | |
| 26 | 942336 | 2 | Spring washer | | |
| 27 | 823637 | 1 | Cover | | |
| 28 | 941666 | 1 | • Sealing ring | | |
| 29 | 837851 | 1 | • Sealing ring | | |
| 30 | 422626 | 1 | Gasket | | |
| 31 | 940162 | 10 | Hexagon screw | | |
| 32 | 942336 | 20 | Spring washer | | |
| 33 | 955538 | 2 | Hexagon screw | | |
| 34 | 955541 | 2 | Hexagon screw | | |
| 35 | 955544 | 6 | Hexagon screw | | |
| 36 | 420183 | 1 | Cover | | |
| 37 | 420213 | 1 | Seal | | |
| 38 | 940115 | 2 | Hexagon screw | | |
| 39 | 942336 | 2 | Spring washer | | |
| 40 | 820957 | 1 | Gear, sea water pump | | For BB115 with Volvo Penta reduction reverse gear., See group 2B |
| 41 | 950564 | 1 | • Pin | | See group 2B |
| 42 | 941939 | 4 | Screw | | |
| 43 | 955537 | 1 | Hexagon screw | | |
| 44 | | | circulation pump | | See group 2B |
| 45 | | | injection pump | | See group 2C |
| 46 | | | extra drive take off | | See group 9 |