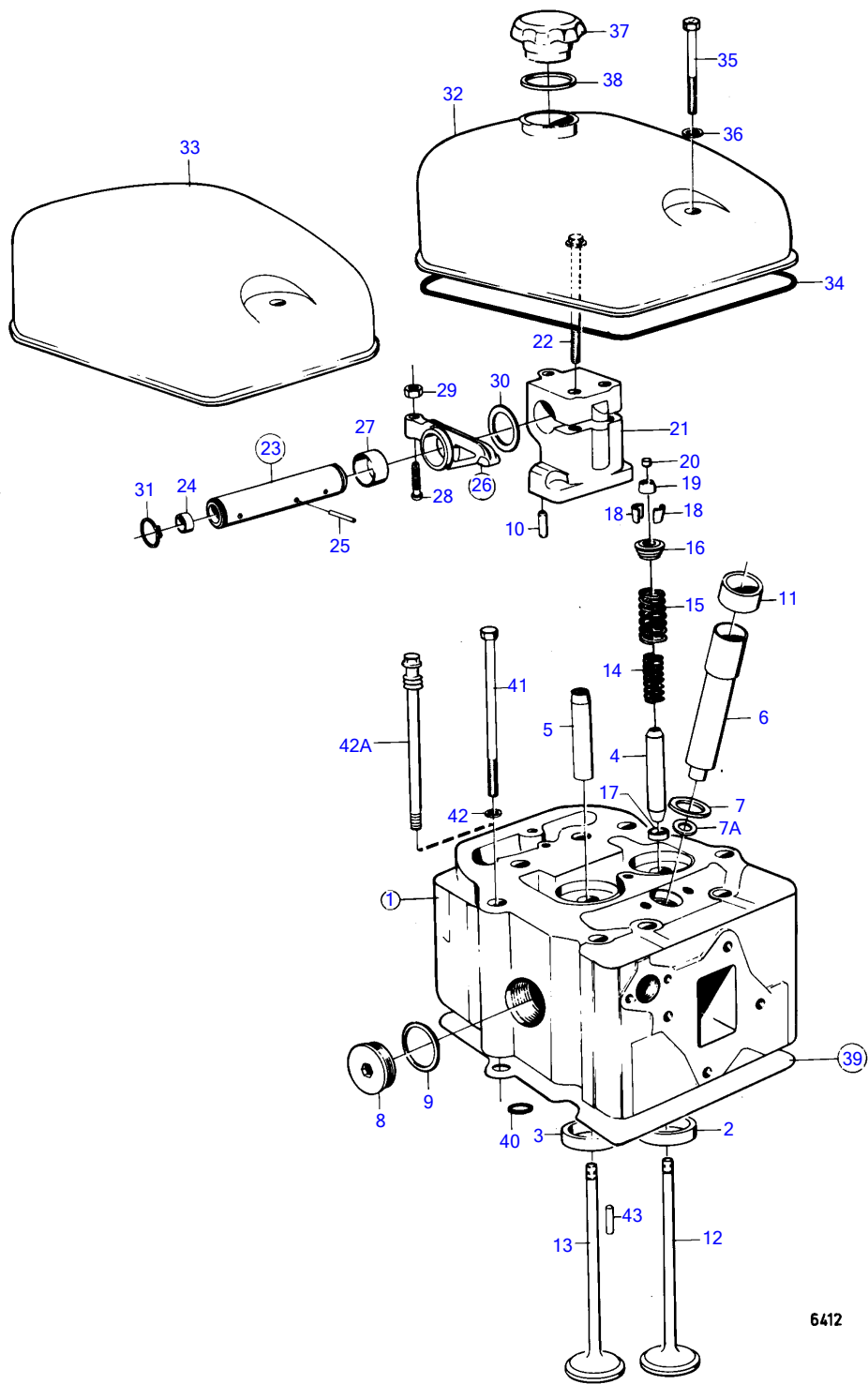


TAMD120A



TAMD120A

REF	PART NO.	QTY	DESCRIPTION	NOTES
1	3803040	6	Cylinder head	(467832)
2	423011	6	• Valve seat, intake	Std D
	423208	6	• Valve seat, intake	0,20mm o.s
3	468448	6	• Valve seat, exhaust	Std D
	468449	6	• Valve seat, exhaust	0,20mm o.s (423205)
4	422320	6	• Valve guide, intake	
5	1545135	6	• Valve guide, exhaust	(421297)
6	468263	6	• Spray sleeve	
7	469205	6	• Sealing ring	
8	467365	12	• Plug	
9	469327	12	• Gasket	(422182)
10	950543	12	• Pin	
11	468210	6	• Sealing ring	
12	423016	6	Inlet valve	
13	423017	6	Valve	
14	468066	12	Valve spring	
15	468067	12	Valve spring	
16	468064	12	Washer, upper	
17	468065	12	Valve spring washer, lower	
18	402418	24	Valve cotter	
20	469365	12	Valve cap	(417133)
21	423266	6	Bearing bracket	
22	423331	18	Flange screw	
23	423267	6	Rocker arm shaft	
24	946778	12	• Cap plug	
25	950499	6	• Pin	
26	423263	12	Rocker arm	
27	422066	12	• Bushing	
28	423058	12	• Ball stud	
29	940175	12	• Hexagon nut	
30	423269	12	Washer	
31	914459	12	Snap ring	
32	423404	1	Cover	
33	423403	5	Cover	
34	468963	6	Gasket	(468352)
35	955527	12	Hexagon screw	
36	942580	12	Gasket	
37	420292	1	Oil filler cap	
38	940096	1	Gasket	
39	275548	6	Cylinder head gasket	
40	422413	6	• Sealing ring, oil	
	422415	12	• Sealing ring, water	
	423326	12	• • Sealing ring, push rod	
41	423485	48	Screw	Early type
42	423486	48	Washer	Early type
42A	470261	48	Flange screw	Late type
43	(949020)	12	Pin	Obsolete part