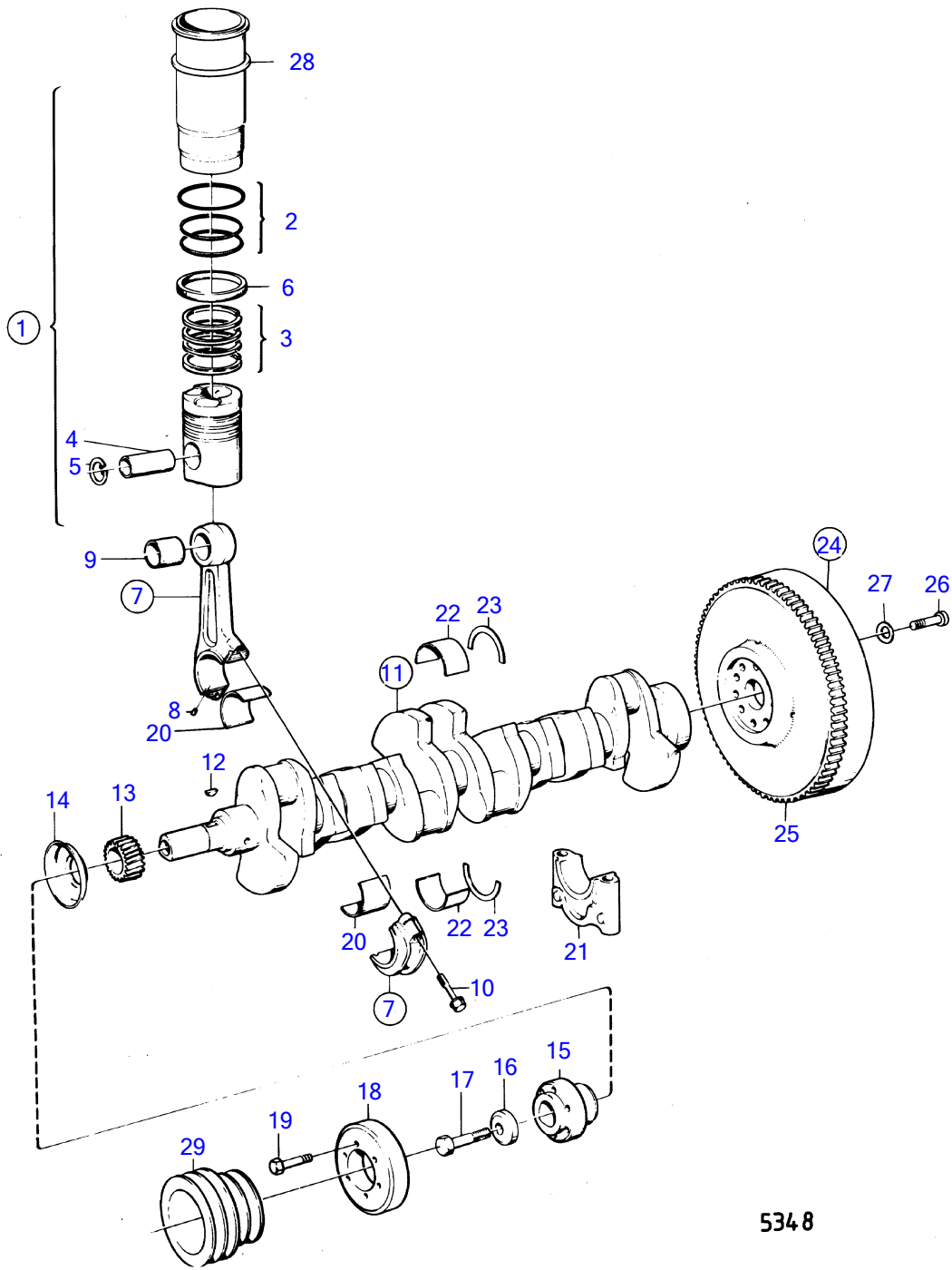


MD120A



5348

MD120A

REF	PART NO.	QTY	DESCRIPTION	SEE SEC.	NOTES
1	(875545)	6	Cylinder liner kit		Obsolete part
2	275729	6	• Gasket kit		(275550)
3	275309	6	• Piston ring kit		
4	423342	6	• Piston pin		Std D
5	423124	12	• Snap ring		
6	468582	6	Protecting ring		MO12309/XXXX-
7	822530	6	Connecting rod		
8	(21660)	12	• Pin		Obsolete part
9	423147	6	• Bushing		
10	417464	12	• Screw		
11	846444	1	Crankshaft		(837641)
12	422253	1	• Woodruff key	14480	
13	423080	1	Gear	14480	
			Bulletin 45-01	45-01-EN	Timing Gears, 71, 100, 121
14	423177	1	Oil deflector	14480	
15	469489	1	Hub		(422123)
16	422124	1	Washer		
17	941494	1	Hexagon screw		
18	823027	1	Vibration damper		
19	956601	12	Hex. socket screw		
20	270105	6	Big-end bearing kit		Std D
	270106	6	Big-end bearing kit		0,25mm u.s
	270107	6	Big-end bearing kit		0,50mm u.s
	270108	6	Big-end bearing kit		0,75mm u.s
21		7	bearing cap	14470	
				14471	
22	270449	7	Main bearing kit		Std D
	270450	7	Main bearing kit		0,25mm u.s
	270451	7	Main bearing kit		0,50mm u.s
	(270452)	7	Main bearing kit		0,75mm u.s, Obsolete part
23	276791	1	Thrust washer kit		Std D
	276792	1	Thrust washer kit		0,1mm o.s
	276793	1	Thrust washer kit		0,2mm o.s
24	814746	1	Flywheel		
	(837040)	1	Flywheel		For engine with AQ drive 100B, 270, 280 or reverse gear type Borg warner., See group 9, Obsolete part
25	423082	1	• Gear ring		
	(822020)	1	• Gear ring		For engine with AQ drive 100B, 270, 280 or reverse gear type Borg warner., See group 9, Obsolete part
26	941570	10	Hexagon screw		
27	467773	10	Washer		
28	468271	X	Adjusting washer		TH=0.20mm
	468272	X	Adjusting washer		TH=0,30mm
	468273	X	Adjusting washer		TH=0.50mm
29			extra pulley		See group 9