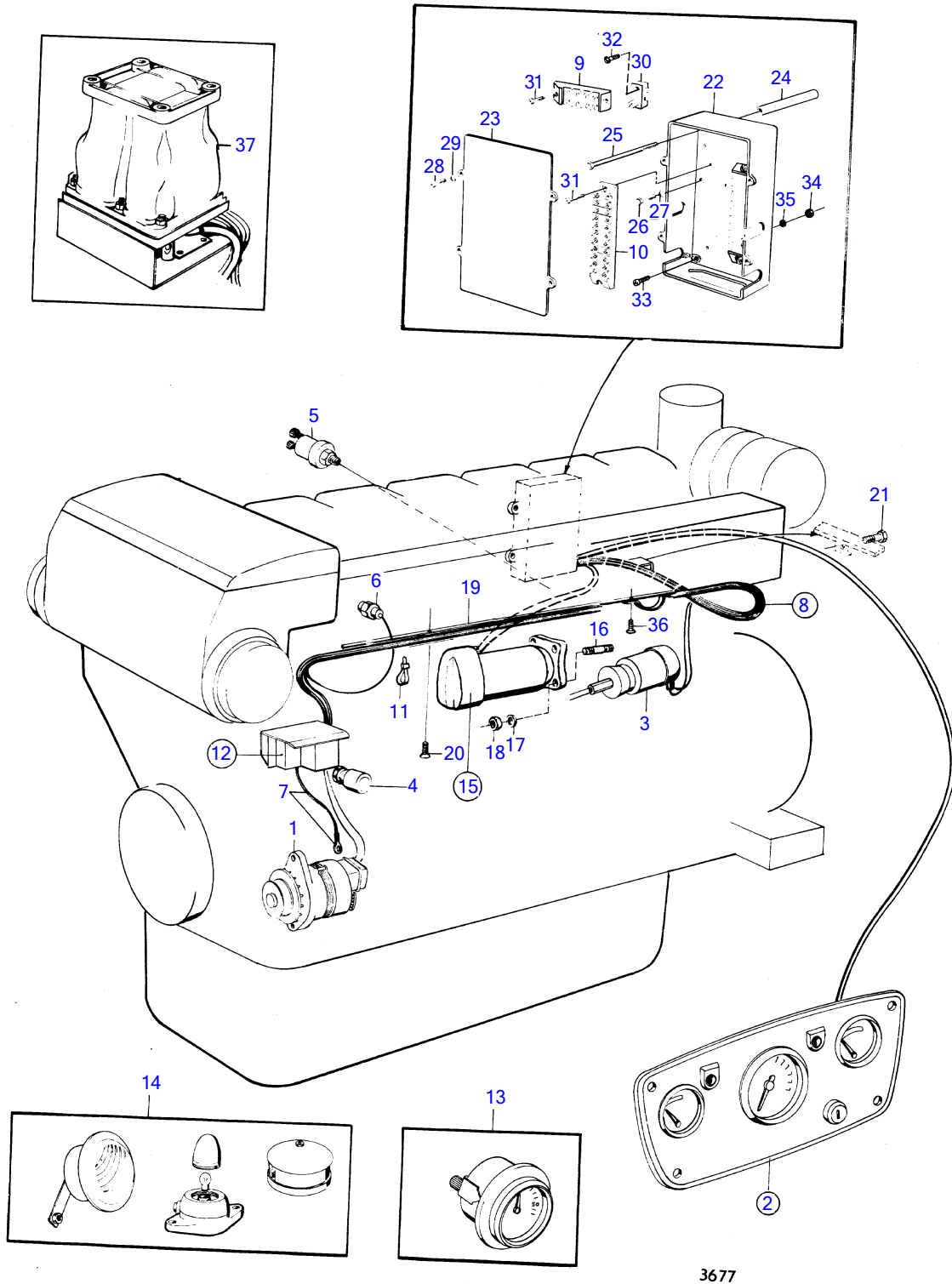


MD120A, TMD120A, TAMD120A



MD120A, TMD120A, TAMD120A

REF	PART NO.	QTY	DESCRIPTION	SEE SEC.	NOTES
1		1	alternator with installation components		14V 38A, 28V 25A
				14588	
		1	alternator with installation components		28V 60A
				14591	
		1	alternator with installation components		32V 60A
				14591	
		1	generator with installation components		24V 38A
				14592	
		1	generator with installation components		24V 62A
				14593	
2	(823363)	1	Instrument panel		Obsolete part, For fly bridge., 12V
			.	14566	
	(823364)	1	Instrument panel		Obsolete part, For fly bridge., 24V
			.	14566	
	(823365)	1	Instrument panel		Obsolete part, For fly bridge., 32V
			.	14566	
		1	Instrument panel		For instrument panel 841094 and 841095., 24V
			.	14566	
		3	stop solenoid with installation components		See group 2D
4	807703	1	Tachometer sensor		Spec.867055 alt., Deuta
	1507899	1	Tachometer sensor		VD0
5	881432	1	Sensor		
6	827150	1	Sensor		See group 2B
	822858		Thermo monitor		See group 9
7			cable and cable terminals	14577	
8	(837012)	1	Cable trunk		Obsolete part, For fly bridge., 12V 38A, 24V 25A
	(837013)	1	Cable trunk		Obsolete part, For fly bridge., 24V 60A, 32V 60A
	(837014)	1	Cable trunk		Obsolete part, For fly bridge., 24V 38A
	(837015)	1	Cable trunk		Obsolete part, For fly bridge., 24V 62A
9	942659	X	Terminal block		24V 25A, 24V 38A
10	(942661)	X	Terminal block		Obsolete part
11	948210	X	Cable tie		(827353)
12		1	charging relay		12V 38A, 24V 25A
				14588	
	(823766)	1	Charge regulator		Obsolete part, 24V 60A
			.	14563	
	(823851)	1	Charge regulator		Obsolete part, 32V 60A
			.	14563	
	(238703)	1	Charge regulator		Obsolete part, 24V 38A
	(233622)	1	Relay		Obsolete part, 24V 62A
13			el. hour indicator device		See group 9
14			alarm device for pressure and temp.		See group 9
15	870998	1	Starter motor		24V repl by 847308
			.	14564	
	847308	1	Starter motor		24V
			components not spec.		
	870704	1	Starter motor		32V
			.	14564	
16	953486	3	Stud		
17	942336	3	Spring washer		
18	955827	3	Hexagon nut		
19			cable holder		
20	950158	2	Cross recessed sunk		
21	955588	1	Hexagon screw		
22	(823616)	1	Clutch housing		Obsolete part
23	(823617)	2	Cardboard tube		Obsolete part
24	823741	2	Spacer sleeve		Early type
25	(943254)	2	Screw		Obsolete part, Early type
26	955524	2	Hexagon screw		Early type

