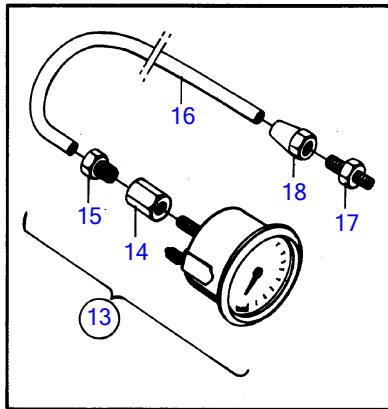
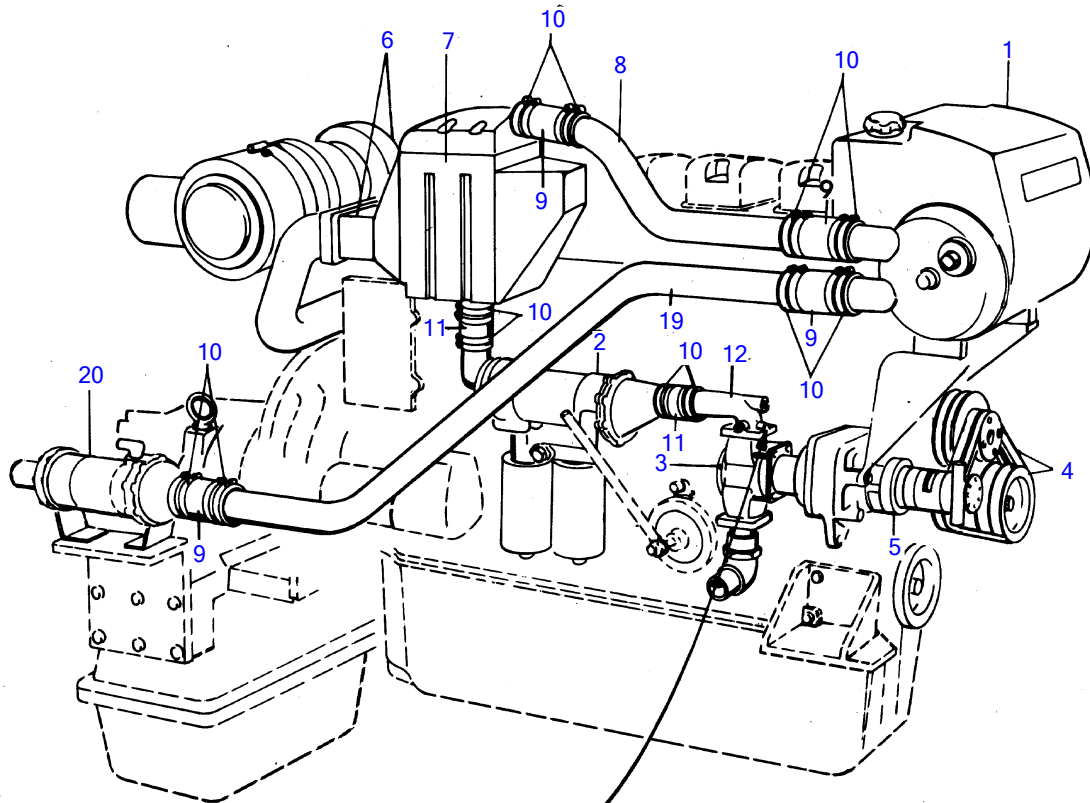


TAMD120A



2842

TAMD120A

REF	PART NO.	QTY	DESCRIPTION	SEE SEC.	NOTES
1			heat exchanger and thermostat with installation components	14502	
2			oil cooler with installation components	14506	
3			sea water pump with installation components	14509	
4			circulation pump and drive device with installation components	14514	
5			bilge pump with installation components		See group 9
6			induction and exhaust system	14489	
7			after cooler with installation components	14494	
8	(836038)	1	Coolant pipe		Obsolete part
9	943372	X	Rubber hose, rubber hose		L=110mm
				14494	
10	943480	24	Hose clamp		
				14494	
11	943372	X	Rubber hose, rubber hose		L=90mm
				14494	
12	(836036)	1	End cover	14509	Obsolete part
13	(819815)	1	Pressure gauge kit		Obsolete part
14	(809410)	1	• Nut		Obsolete part
15	87698	1	• Fitting screw		
16	(954303)	X	• Tube		L=5000mm, Obsolete part
17	(954334)	1	Nipple		Obsolete part
18	954320	1	Fitting nut		
19		1	cooling water pipe		See group 4A
20	837099	1	Oil cooler		See group 4A