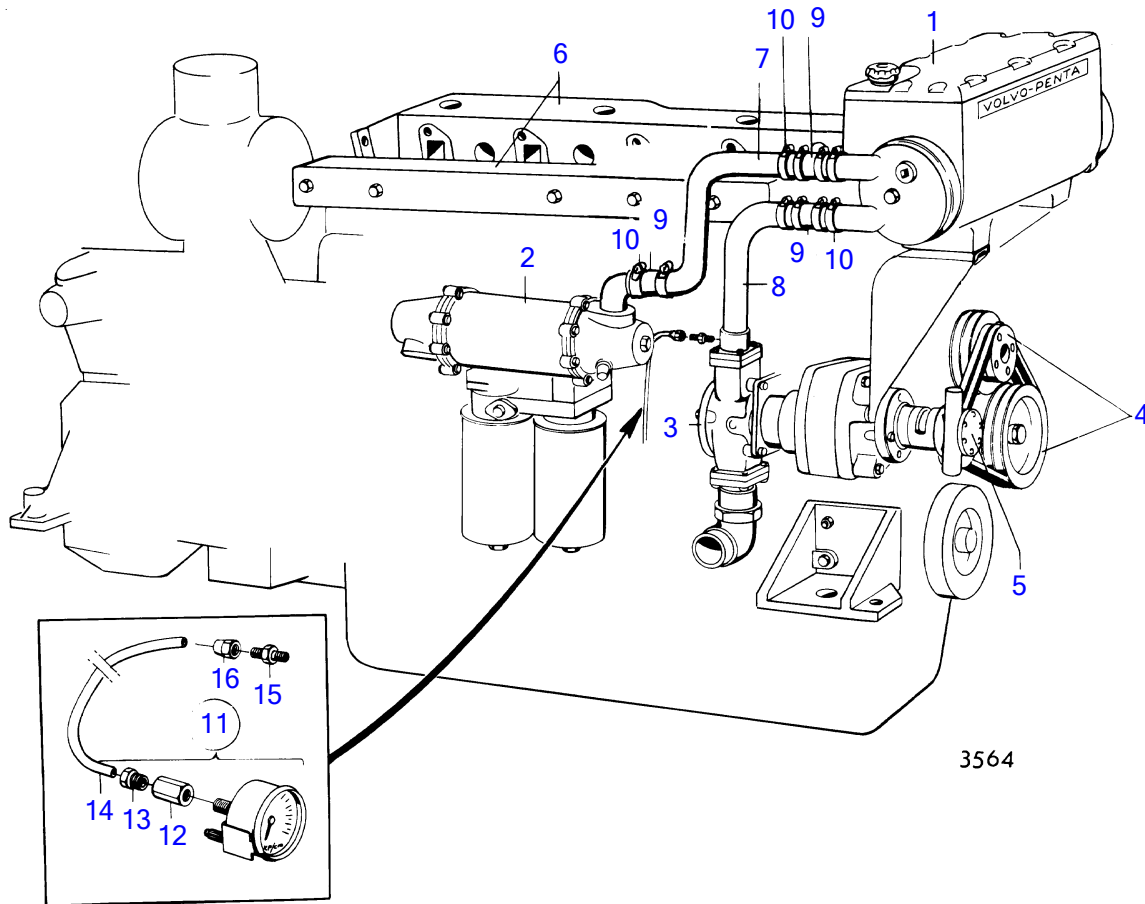


MD120A



3564

## MD120A

| REF | PART NO. | QTY | DESCRIPTION  | SEE SEC. | NOTES                                   |
|-----|----------|-----|--|----------|---|
| 1   |          |     | heat exchanger and thermostat with installation components     | 14502    |   |
| 2   |          |     | oil cooler with installation components                        | 14505    |   |
| 3   |          |     | sea water pump with installation components                    | 14509    |   |
| 4   |          |     | circulation pump and drive device with installation components | 14514    |   |
| 5   |          |     | bilge pump with installation components                        |          | See group 9                             |
| 6   |          | 1   | induction and exhaust system                                   | 14516    |   |
| 7   |          | 1   | cooling water pipe   |          | Alternator, mounted high., MO-XXXX/3456 |
|     | (837000) | 1   | Tube   |          | MOXXXX/3457-, Obsolete part             |
| 8   | (822626) | 1   | Coolant pipe   | 14509    | Obsolete part                           |
| 9   | 949478   | X   | Rubber hose  |          | L=110mm                                 |
| 10  | 943477   | 12  | Hose clamp   |          | (951793)                                |
| 11  | (819815) | 1   | Pressure gauge kit   |          | Obsolete part                           |
| 12  | (809410) | 1   | • Nut  |          | Obsolete part                           |
| 13  | 87698    | 1   | • Fitting screw  |          |   |
| 14  | (954303) | X   | • Tube   |          | L=5000mm, Obsolete part                 |
| 15  | (954334) | 1   | Nipple   |          | Obsolete part                           |
| 16  | 954320   | 1   | Fitting nut  |          |   |
|     |          |     | keel cooling system  |          | See group 9                             |