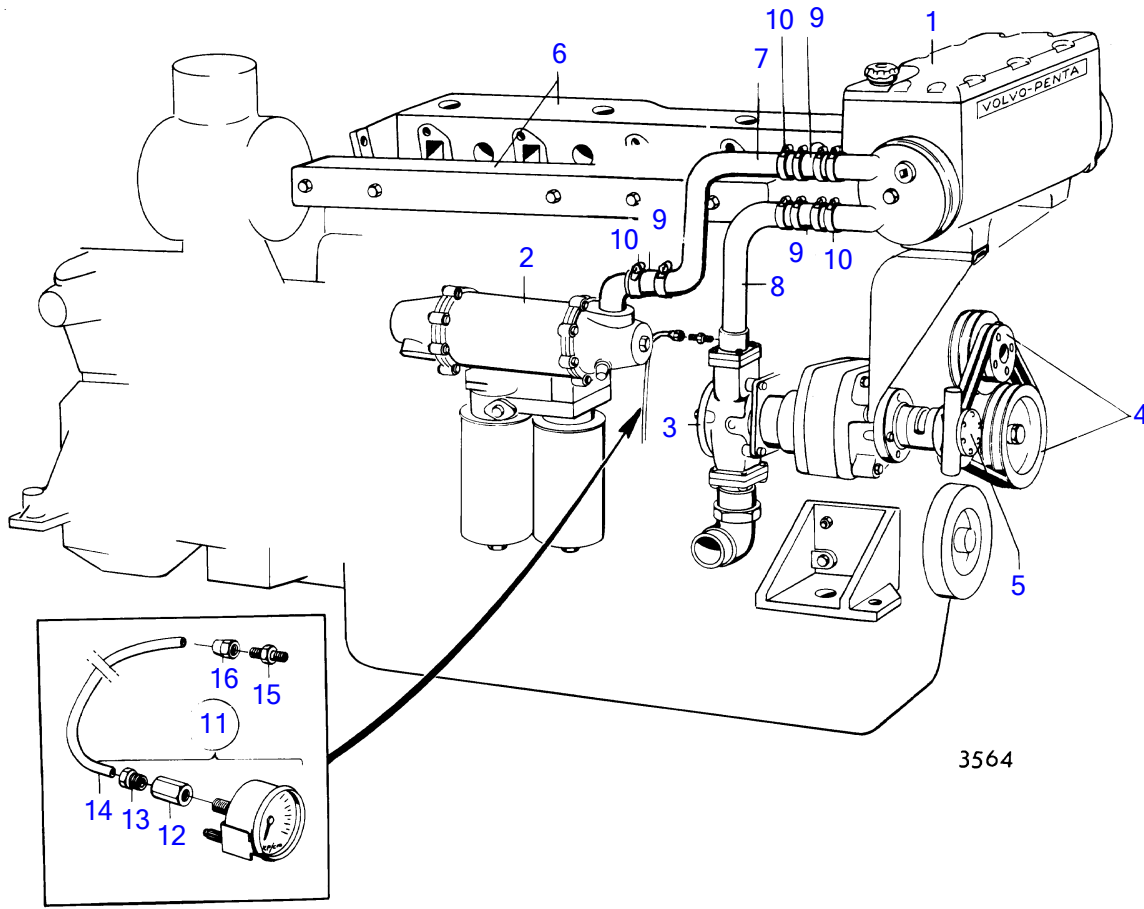


MD120A



MD120A

REF	PART NO.	QTY	DESCRIPTION	SEE SEC.	NOTES
1			heat exchanger and thermostat with installation components	14502	
2			oil cooler with installation components	14505	
3			sea water pump with installation components	14509	
4			circulation pump and drive device with installation components	14514	
5			bilge pump with installation components		See group 9
6		1	induction and exhaust system	14516	
7		1	cooling water pipe		Alternator, mounted high., MO-XXXX/3456
	(837000)	1	Tube		MOXXXX/3457-, Obsolete part
8	(822626)	1	Coolant pipe	14509	Obsolete part
9	949478	X	Rubber hose		L=110mm
10	943477	12	Hose clamp		(951793)
11	(819815)	1	Pressure gauge kit		Obsolete part
12	(809410)	1	• Nut		Obsolete part
13	87698	1	• Fitting screw		
14	(954303)	X	• Tube		L=5000mm, Obsolete part
15	(954334)	1	Nipple		Obsolete part
16	954320	1	Fitting nut		
			keel cooling system		See group 9