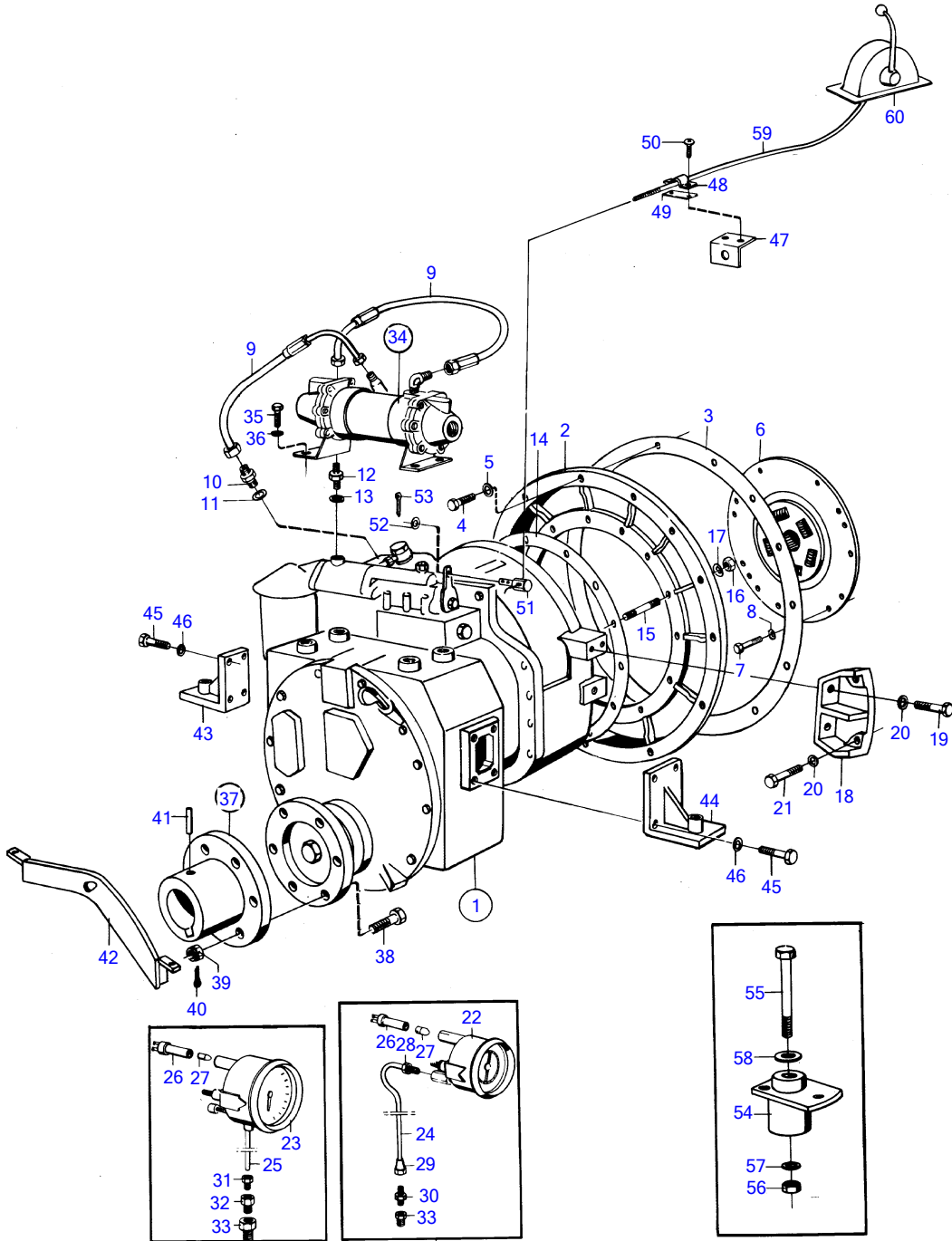


MD100A



5500

MD100A

REF	PART NO.	QTY	DESCRIPTION	SEE SEC.	NOTES
1		1	rev. gear, ratio 2:1		Drilled 30mm.
		1	rev. gear, ratio 2:1		MRF 350 HD MK2
		1	rev. gear, ratio 3:1		Drilled 30mm., MRF 350 HD MK2
		1	rev. gear, ratio 3:1		MRF 350 HD MK2
		1	rev. gear, ratio 4:1		Drilled 30mm., MRF 350 HD MK2
		1	rev. gear, ratio 4:1 • components		MRF 350 HD MK2
2	(815250)	1	Spacer flange		Obsolete part
3	800314	1	Gasket		
4	940160	12	Hexagon screw		
5	941909	12	Spring washer		
6	(836319)	1	Absorber		Obsolete part
7	955534	6	Hexagon screw		
8	942336	6	Spring washer		
9	(820968)	2	Hose		Obsolete part
10	(942418)	1	Nipple		Obsolete part
11	957184	1	Gasket		
12	(942363)	1	Fitting		Obsolete part
13	(18821)	1	Gasket		Obsolete part
14	(815247)	1	Gasket		Obsolete part
15	953261	12	Stud		
16	955827	12	Hexagon nut		
17	942336	12	Spring washer		
18	(815251)	2	Bracket		Obsolete part
19	955549	4	Hexagon screw		
20	941909	8	Spring washer		
21	940116	4	Hexagon screw		
22	(827236)	1	Oil pressure gauge		Obsolete part
23		1	oil pressure gauge		4" propeller shaft flange.
24	(954303)	X	Tube		L=5000mm D=3/16", Obsolete part
25	(954302)	X	Tube		L=5000mm D=1/8", Obsolete part
26	808175	1	Lamp socket		
27	182059	1	Bulb		24V
28	87698	1	Fitting screw		
29	954320	1	Fitting nut		
30	(954334)	1	Nipple		Obsolete part
31	(26699)	1	Fitting screw		Obsolete part
32	(16226)	1	Fitting		Obsolete part
33	(809139)	1	Nipple		Obsolete part
34	(821082)	1	Oil cooler		Obsolete part
			•	14058	
35	(101253)	4	Screw		Obsolete part
36	942336	4	Spring washer		
37	(820933)	1	Clutch flange		Obsolete part
38	955696	6	Hexagon screw		
39	955883	6	Castle nut		
40	907834	6	Split pin		
41	(17186)	1	Taper pin		Obsolete part
42		1			Early type
43		1			For steering yoke and lever with splines., Early type
	(823218)	1	Bracket		Obsolete part
44	(823218)	1	Bracket		Obsolete part
45	955560	8	Hexagon screw		
46	940280	8	Spring washer		
47		1			
48	21471054	1	Bracket		
49	819068	1	Washer		
50	950021	2	Cross recessed screw		
51	814082	1	Cube		
52	940191	1	Washer		
53	17276	1	Split pin		
54	(820646)	2	Rubber cushion		Obsolete part
55		2	Stud		

7742120-44-14057

5500

Upd:2011-03-01

