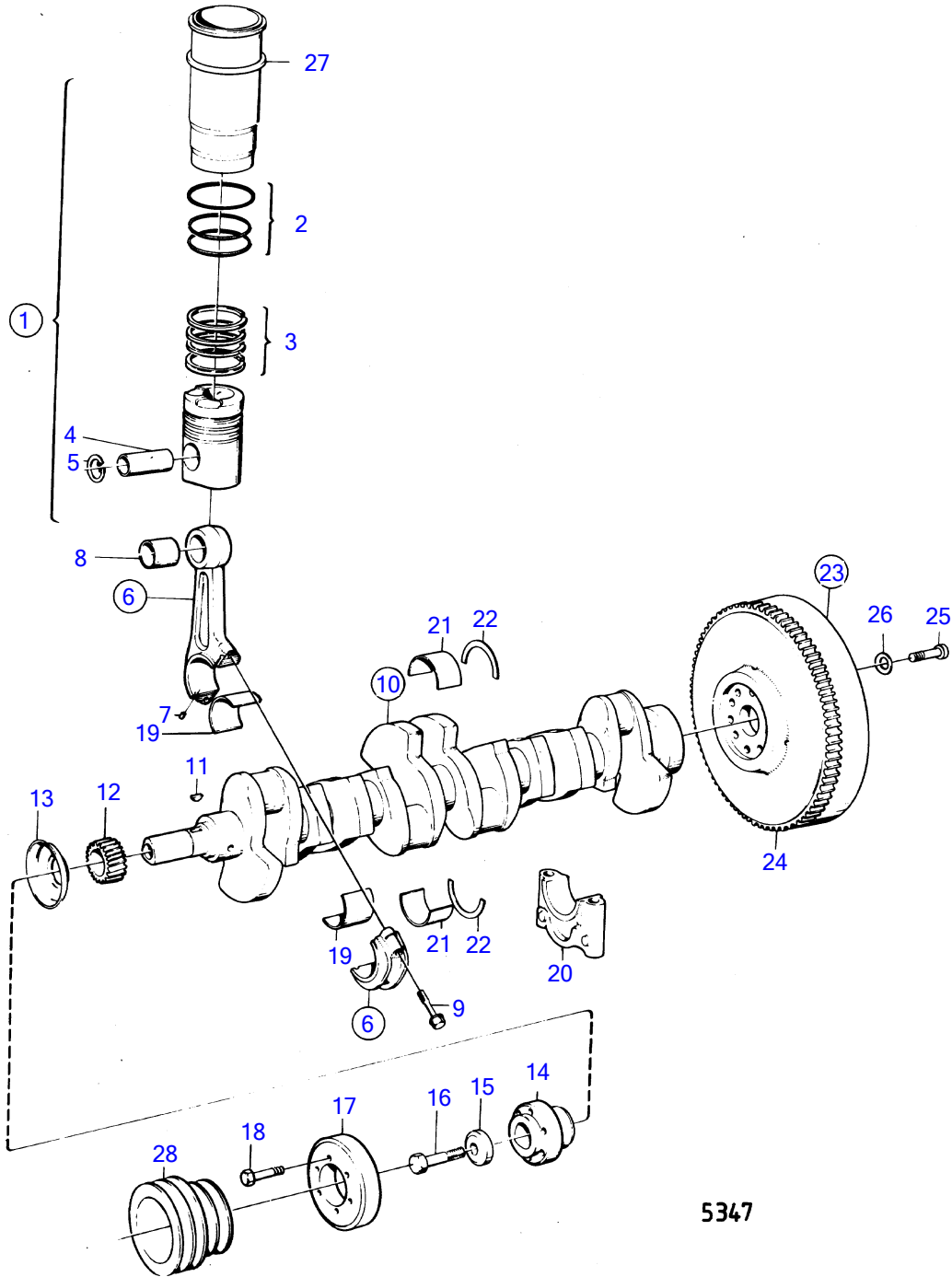


MD100A



5347

## MD100A

REF	PART NO.	QTY	DESCRIPTION	SEE SEC.	NOTES
1	275038	6	Cylinder liner kit		
2	275734	6	• Sealing ring kit		(275739)
3	275304	6	• Piston ring kit		
4	422344	6	• Piston pin		Std D
	(422345)	6	• Piston pin		0,05mm o.s, Obsolete part
	(422347)	6	• Piston pin		0,20mm o.s, Obsolete part
5	417466	12	• Snap ring		
6	896718	6	Connecting rod		
7	(21660)	12	• Pin		Obsolete part
8	417463	6	• Bushing		
9	417464	12	• Screw		
10	846442	1	Crankshaft		(837639)
11	422253	1	• Woodruff key	13969	
12	423080	1	Gear	13969	
			Bulletin 45-01	45-01-EN	Timing Gears, 71, 100, 121
13	423177	1	Oil deflector	13969	
14	469489	1	Hub		(422123)
15	422124	1	Washer		
16	941494	1	Hexagon screw		
17	823027	1	Vibration damper		
18	956601	12	Hex. socket screw		
19	270099	6	Big-end bearing kit		Std D
	270100	6	Big-end bearing kit		0,25mm u.s
	270101	6	Big-end bearing kit		0,50mm u.s
	270102	6	Big-end bearing kit		0,75mm u.s
	270103	6	Big-end bearing kit		1,00mm u.s
	(270104)	6	Big-end bearing kit		1,25mm u.s, Obsolete part
20		7	bearing cap	13963	
21	270438	7	Main bearing kit		Std D
	270439	7	Main bearing kit		0,25mm u.s
	270440	7	Main bearing kit		0,50mm u.s
	(270441)	7	Main bearing kit		0,75mm u.s, Obsolete part
	270442	7	Main bearing kit		1,00mm u.s
	(270443)	7	Main bearing kit		1,25mm u.s, Obsolete part
22	276758	1	Thrust washer kit		Std D
	276759	1	Thrust washer kit		0,1mm o.s
	276760	1	Thrust washer kit		0,2mm o.s
	(276761)	1	Thrust washer kit		0,3mm o.s, Obsolete part
23	847168	1	Flywheel		(814746)
	(837040)	1	Flywheel		For engine with AQ drive 100B, 270, 280 or reverse gear type Borg warner., See group 9, Obsolete part
24	423082	1	• Gear ring		
	(822020)	1	• Gear ring		For engine with AQ drive 100B, 270, 280 or reverse gear type Borg warner., See group 9, Obsolete part
25	941570	10	Hexagon screw		
26	467773	10	Washer		
27	422619	X	Adjusting washer		TH=0.20mm
	422620	X	Adjusting washer		TH=0,30mm
	422621	X	Adjusting washer		TH=0.50mm
28			extra pulley		See group 9