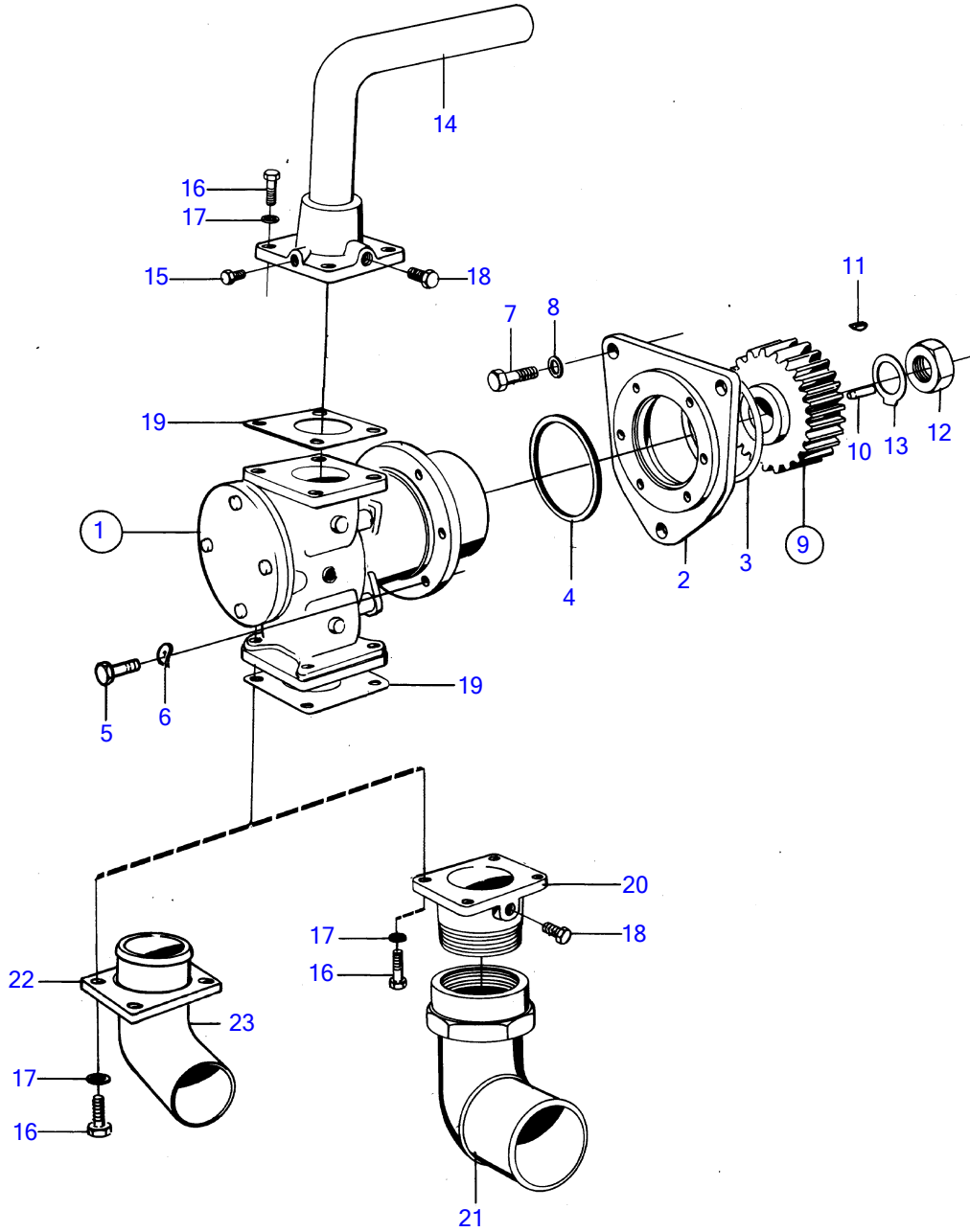


MD100A, TMD100A, TMD100AK, TMD100A-CC, MD100B, MD100BK, MD100B-CC



5402

MD100A, TMD100A, TMD100AK, TMD100A-CC, MD100B, MD100BK, MD100B-CC

REF	PART NO.	QTY	DESCRIPTION	SEE SEC.	NOTES
1		1			Early type repl by 822787
			.	13982	
	822787	1	Sea water pump		
			.	13982	
2	820695	1	Spacer		
3	925095	1	O-ring		
4	413619	1	Gasket		
5	940114	3	Hexagon screw		
6	942336	3	Spring washer		
7	955576	3	Hexagon screw		
8	941911	3	Spring washer		
9	820957	1	Gear		Replaced by 1ea 843563,1ea 823499., See group 2A
10	950564	1	• Pin		See group 2A
11	942406	1	Woodruff key		
12	955860	1	Hexagon nut		
13	942735	1	Tab washer		
14	(823380)	1	Coolant pipe	13980	Obsolete part
15	180759	1	Plug		
16	940114	8	Hexagon screw		
17	942336	8	Spring washer		
18	192134	2	Plug		
19	820877	2	Gasket		
20		1	flange		Early type D70B spec. 867055.
21		1	hose union		Early type D70B spec. 867055.
22	842029	1	Flange		
23	842028	1	Hose attachment		