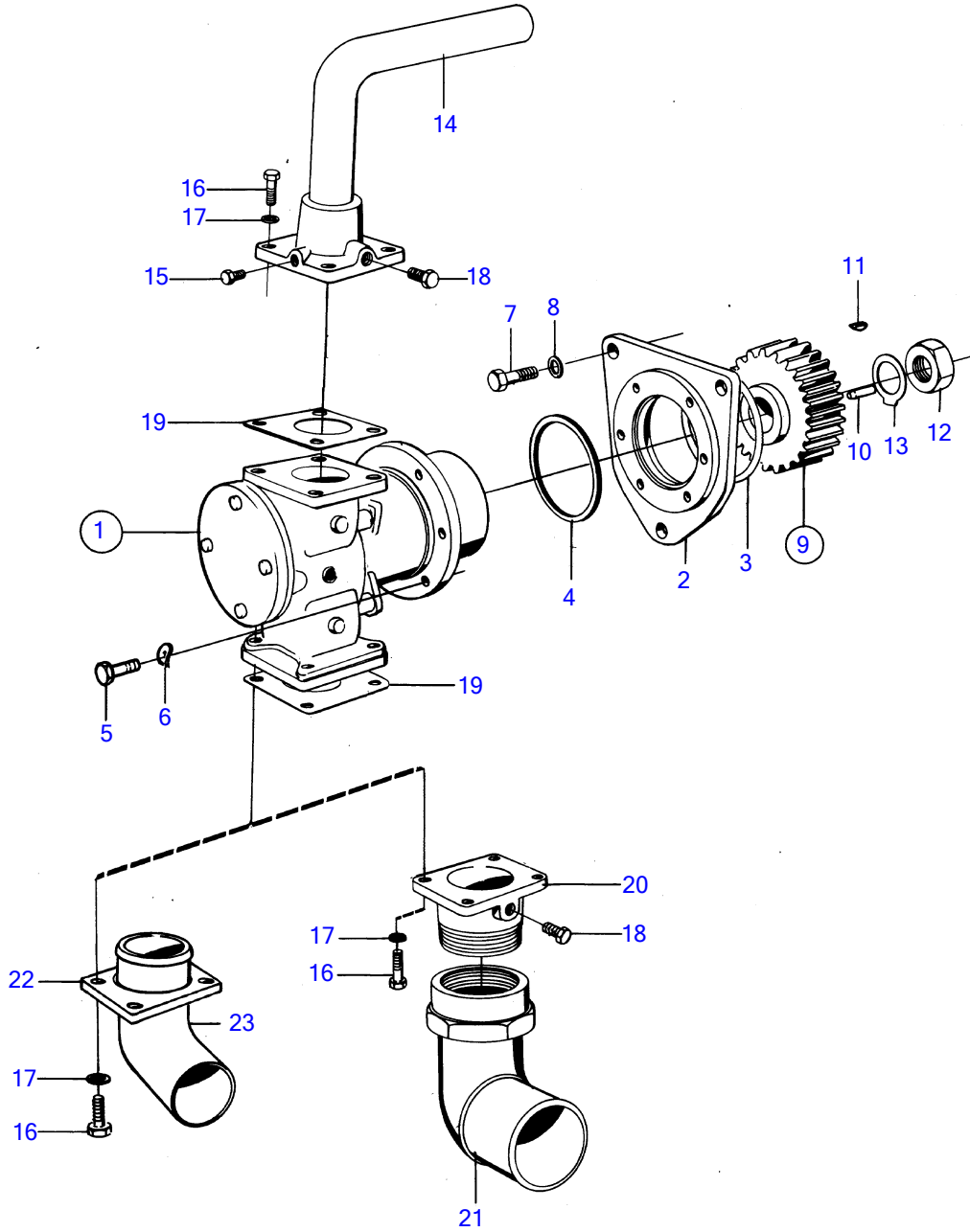


MD100A, TMD100A, TMD100AK, TMD100A-CC, MD100B, MD100BK, MD100B-CC



5402

MD100A, TMD100A, TMD100AK, TMD100A-CC, MD100B, MD100BK, MD100B-CC

| REF | PART NO. | QTY | DESCRIPTION | SEE SEC. | NOTES |
|-----|----------|-----|-----------------|----------|--|
| 1 | | 1 | | | Early type repl by 822787 |
| | | | . | 13982 | |
| | 822787 | 1 | Sea water pump | | |
| | | | . | 13982 | |
| 2 | 820695 | 1 | Spacer | | |
| 3 | 925095 | 1 | O-ring | | |
| 4 | 413619 | 1 | Gasket | | |
| 5 | 940114 | 3 | Hexagon screw | | |
| 6 | 942336 | 3 | Spring washer | | |
| 7 | 955576 | 3 | Hexagon screw | | |
| 8 | 941911 | 3 | Spring washer | | |
| 9 | 820957 | 1 | Gear | | Replaced by 1ea 843563,1ea 823499., See group 2A |
| 10 | 950564 | 1 | • Pin | | See group 2A |
| 11 | 942406 | 1 | Woodruff key | | |
| 12 | 955860 | 1 | Hexagon nut | | |
| 13 | 942735 | 1 | Tab washer | | |
| 14 | (823380) | 1 | Coolant pipe | 13980 | Obsolete part |
| 15 | 180759 | 1 | Plug | | |
| 16 | 940114 | 8 | Hexagon screw | | |
| 17 | 942336 | 8 | Spring washer | | |
| 18 | 192134 | 2 | Plug | | |
| 19 | 820877 | 2 | Gasket | | |
| 20 | | 1 | flange | | Early type D70B spec. 867055. |
| 21 | | 1 | hose union | | Early type D70B spec. 867055. |
| 22 | 842029 | 1 | Flange | | |
| 23 | 842028 | 1 | Hose attachment | | |