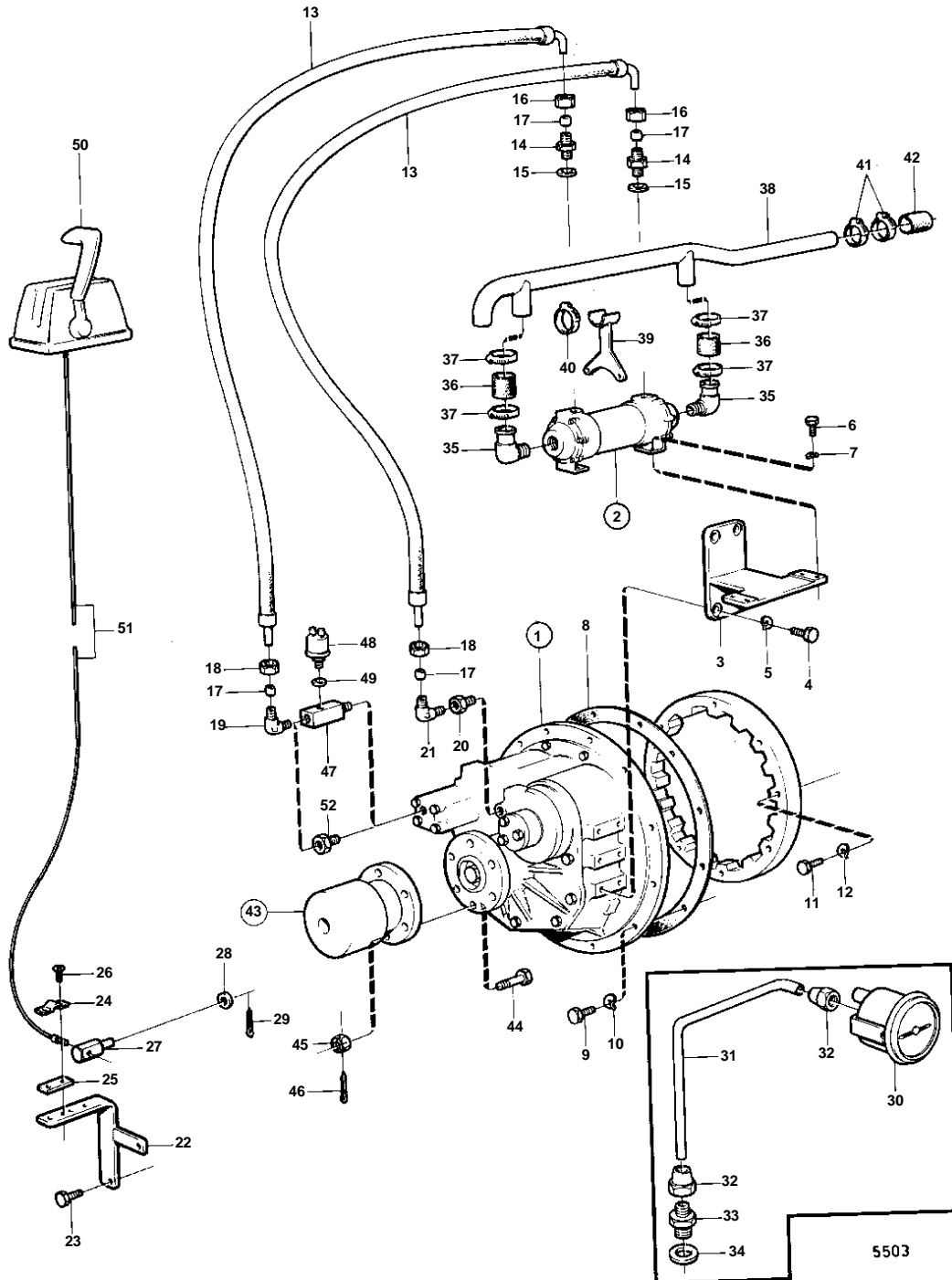


MD100B



MD100B

REF	PART NO.	QTY	DESCRIPTION	SEE SEC.	NOTES
1		1	REVERSE GEAR, RATIO 2:1		
		1	REVERSE GEAR, RATIO 3:1		
			COMPONENTS		
2	842099	1	Oil cooler	04A-0700	
3	842098	1	Bracket		
4	955560	4	Screw		
5	940280	4	Spring washer		
6	940113	4	Screw		
7	941907	4	Spring washer		
8	800751	1	Gasket		
9	940134	12	Screw		
10	941909	12	Spring washer		
11	940162	8	Screw		
12	942336	8	Spring washer		
13	837355	1	Hose		L = 420 MM REPL BY 837935
	837935	1	Hose		L = 460 MM
14	943755	2	Fitting		
15	907135	2	Gasket		(18820)
16	941331	2	Nut		
17	956970	4	Ferrule		
18	956984	2	Nut		
19	941757	1	Nipple		
20	954334	1	Fitting		REPL BY 941757
21	837198	1			REPL BY 941757
22	842104	1	Bracket		
23	955535	2	Screw		
24	819067	1	Brace		
25	819068	1	Washer		
26	950021	2	Screw		
27	813674	1	Cube		
28	940191	1	Washer		
29	17276	1	Cotter pin		
30	837436	1	Manometer		
31	944069	X	Copper tube		L = 5000 MM
32	954320	2	Nut		
33	190279	1	Nipple		
34	957172	1	Gasket		
35	898683	2	Hose attachment		
36	952977	X	Radiator hose		L = 70 MM
37	943478	4	Clamp		
38	837084	1	Pipe		
39	837075	2	Bracket		
40	943476	2	Hose clamp		
41	943478	4	Clamp		(951794)
42	943370	X	Rubber hose		L = 140 MM (952977)
43	842106	1	Clutch flange		
44	955738	6	Screw		
45	955886	6	Nut		
46	907861	6	Cotter pin		(907859)
47	842425	1	Nipple		
48	837781	1	Pressure sensor		SEE GROUP 3
49	957181	1	Gasket		SEE GROUP 3
50			CONTROL		SEE GROUP 9
51			CONTROL CABLE		SEE GROUP 9
52	804533	1	Nipple		