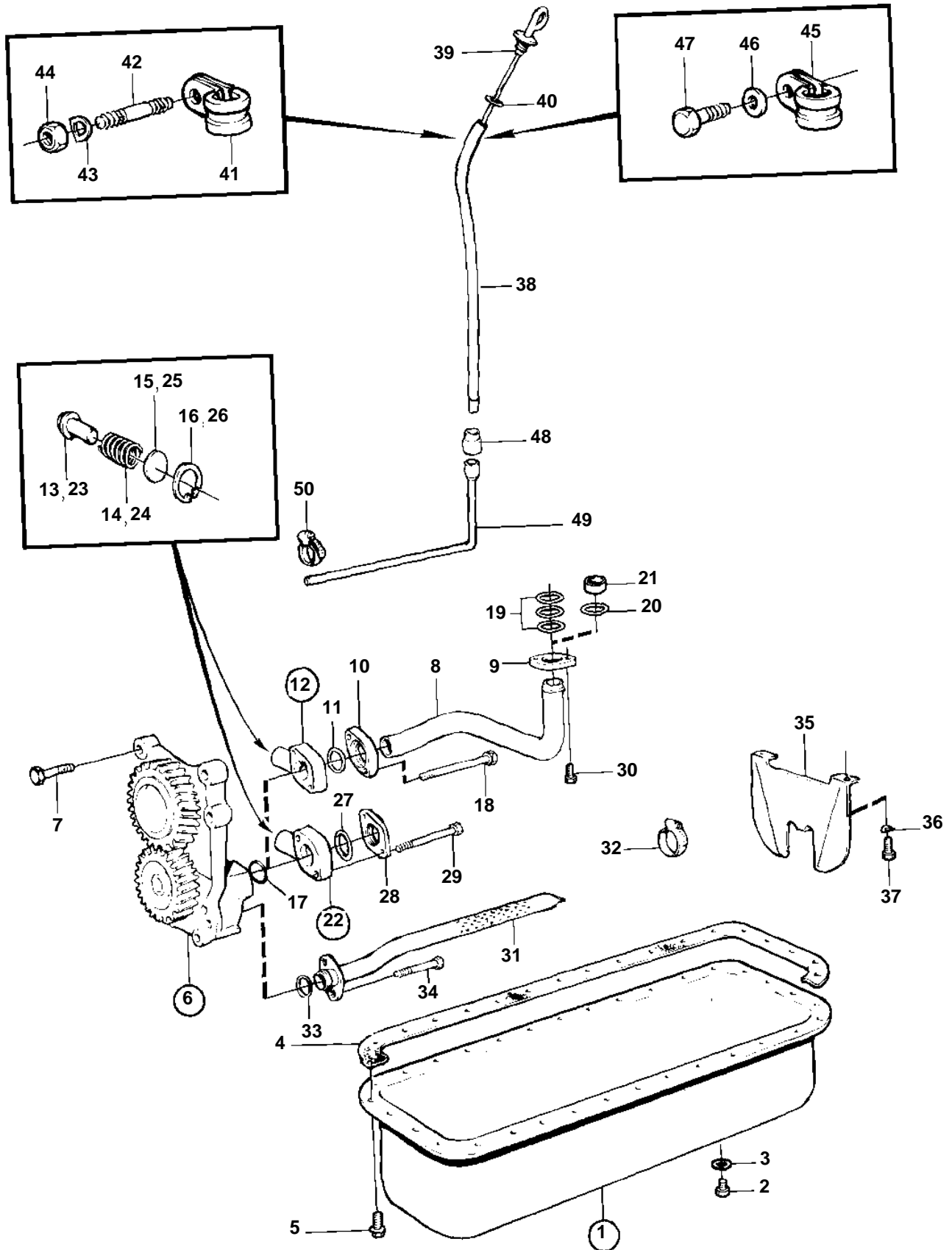


KAMD42P-A, KAD42P-A



KAMD42P-A, KAD42P-A

REF	PART NO.	QTY	DESCRIPTION	SEE SEC.	NOTES
1	861151	1	Oil pan		
2	948187	1	• Plug		
3	18818	1	• Gasket		
4	861251	1	Gasket		
5	946440	32	Flange screw		L=16mm
6	860721	1	Oil pump		
				528	
7	948217	4	Flange screw		
8	860821	1	Tube		
9	1542248	1	Flange		
10		1	Flange		TH=15mm, REPL BY 3581206
11	1545271	1	Sealing ring		
12		1	Reducing valve		REPL BY 3581308
13	471115	1	• Reducing valve		
14	1542257	1	• Spring		
15	948343	1	• Washer		
16	914506	1	• Lock ring		
17	469482	1	O-ring		
18	965184	2	Screw		L=100mm
19		3	Sealing ring		EARLY TYPE. Earlier production with 3 gaskets have been replaced by 1 ea gasket 980936 plus 1 ea gasket 471956.
20	980936	1	O-ring		LATE TYPE
21	471956	1	Sealing ring		LATE TYPE
22	3581308	1	Reducing valve		
			Bulletin 44-32	44-32-EN	Reduction Valve D31, 41, 42
			Bulletin 44-32A	44-32A-EN	Reduction Valve D31, 41, 42
23	471115	1	• Reducing valve		
24	1542257	1	• Spring		
25	948343	1	• Washer		
26	914506	1	• Lock ring		
27	980936	1	O-ring		FOR 3581308
28	3581206	1	Flange		TH=8mm
29	965183	2	Flange screw		L=90mm
30	946173	2	Flange screw		
31	861064	1	Suction pipe		
32	943473	1	Hose clamp		
33	469483	1	Sealing ring		EARLY TYPE
34	965217	2	Flange screw		
35	860999	1	Baffle plate		SEE GROUP 25
36	942385	2	Disc spring		SEE GROUP 25
37	946440	2	Flange screw		SEE GROUP 25
38	861100	1	Tube		
39	861087	1	Oil dipstick		
40	960155	1	• O-ring		
41	949746	1	Clamp		EARLY TYPE
42		1	Stud		SEE GROUP 25
43		1	Spring washer		SEE GROUP 25
44		1	Nut		SEE GROUP 25
45	949746	1	Clamp		LATE TYPE
46	955893	1	Washer		
47	968855	1	Flange screw		
48	843533	1	Rubber hose		
49	861083	1	Suction pipe		
50	943469	1	Clamp		