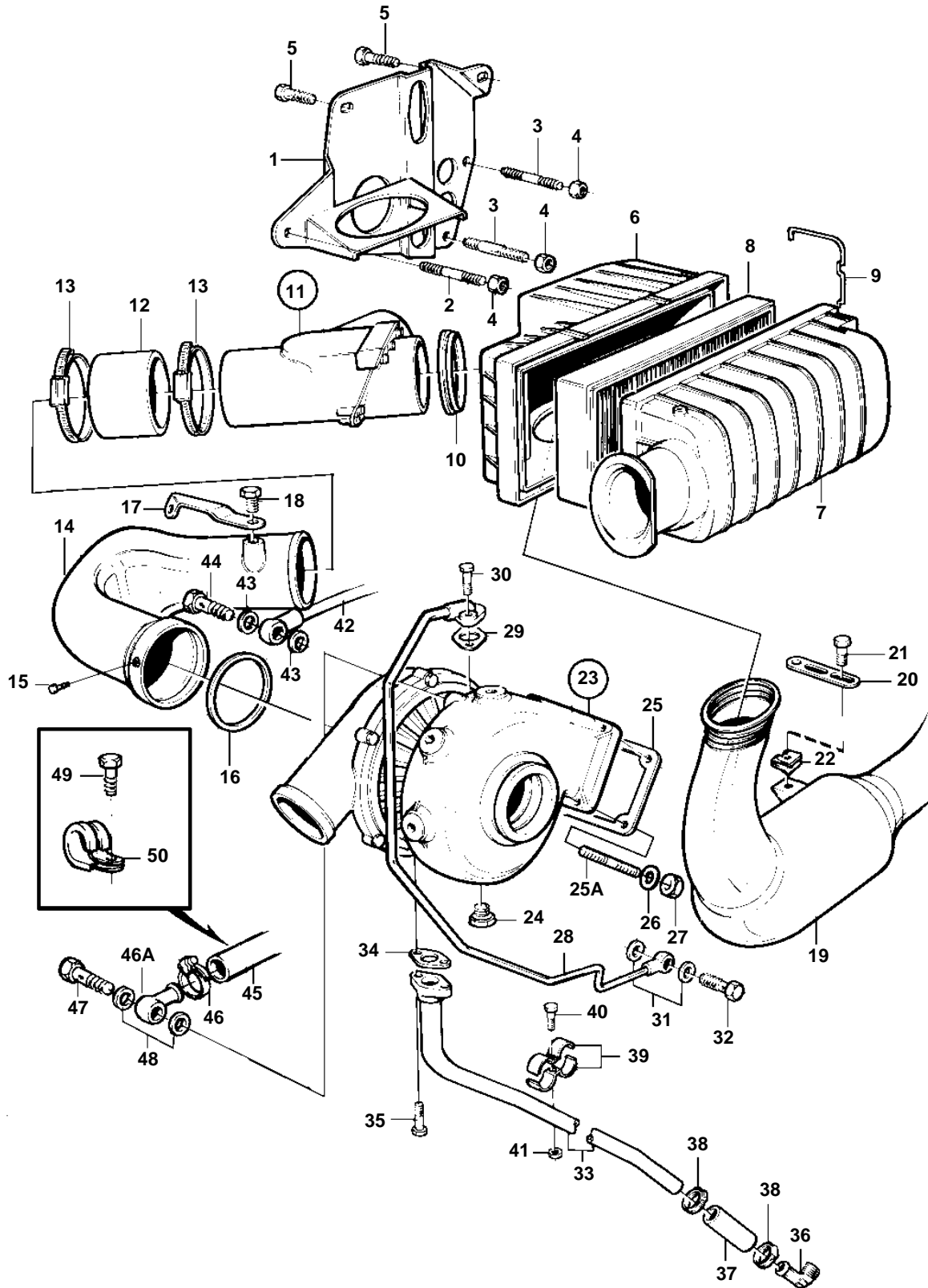


KAMD42P-A, KAD42P-A



16934

KAMD42P-A, KAD42P-A

REF	PART NO.	QTY	DESCRIPTION	SEE SEC.	NOTES
1	860397	1	Bracket		
2	953005	1	Stud		L=140mm
3	953002	2	Stud		L=125mm
4	971095	3	Nut		
5	946544	2	Flange screw		
6	861435	1	Air cleaner		
7	860798	1	· Cover		
8	876185	1	· Insert		
9	860799	2	· Clip		
10	860504	1	Sealing ring		
11	860402	1	Check valve		REPL BY 3581019
	3581019	1	Check valve		
12	861092	1	Hose		
13	872531	2	Hose clamp		
14	860401	1	Tube		
15	941792	2	Screw		
16	976044	1	O-ring		
17	860709	1	Bracket		
18	946934	1	Flange screw		
19	860389	1	Tube		Air filter-compressor.
20	965537	1	Bracket		
21	965355	1	Screw		
22	946331	1	Spring nut		
23	861260	1	Turbo		
	3802070	1	Turbocharger, exch		Exchange unit
				1697	
24	861551	1	Plug		
25	859111	1	Gasket		
25A	479972	4	Stud		
26	955895	4	Washer		
27	940183	4	Nut		
28	838869	1	Oil feed pipe		
29	420641	1	Gasket		
30	945444	1	Flange screw		L=25mm
	946671	1	Flange screw		L=30mm
31	969011	2	Gasket		
32	25167	1	Hollow screw		
33	838820	1	Oil return pipe		
34	860105	1	Gasket		
35	945444	2	Flange screw		
36	843879	1	Elbow nipple		
37	466328	1	Rubber hose		
38	943474	2	Hose clamp		
39	820851	2	Clamp		
40	946544	1	Flange screw		
41	945407	1	Flange nut		
42	860215	1	Air vent hose		Turbo-thermostat housing.. For earlier version of expansion tank.
43	11994	2	Gasket		
44	969299	1	Hollow screw		
45	942700	X	Hose		L=760mm. Expansion tank-Turbo.. For later version of expansion tank.
46	945652	1	Hose clamp		
46A	858750	1	Banjo nipple		
47	969299	1	Hollow screw		
48	11994	2	Gasket		
49	965175	1	Screw		
50	952627	1	Clamp		