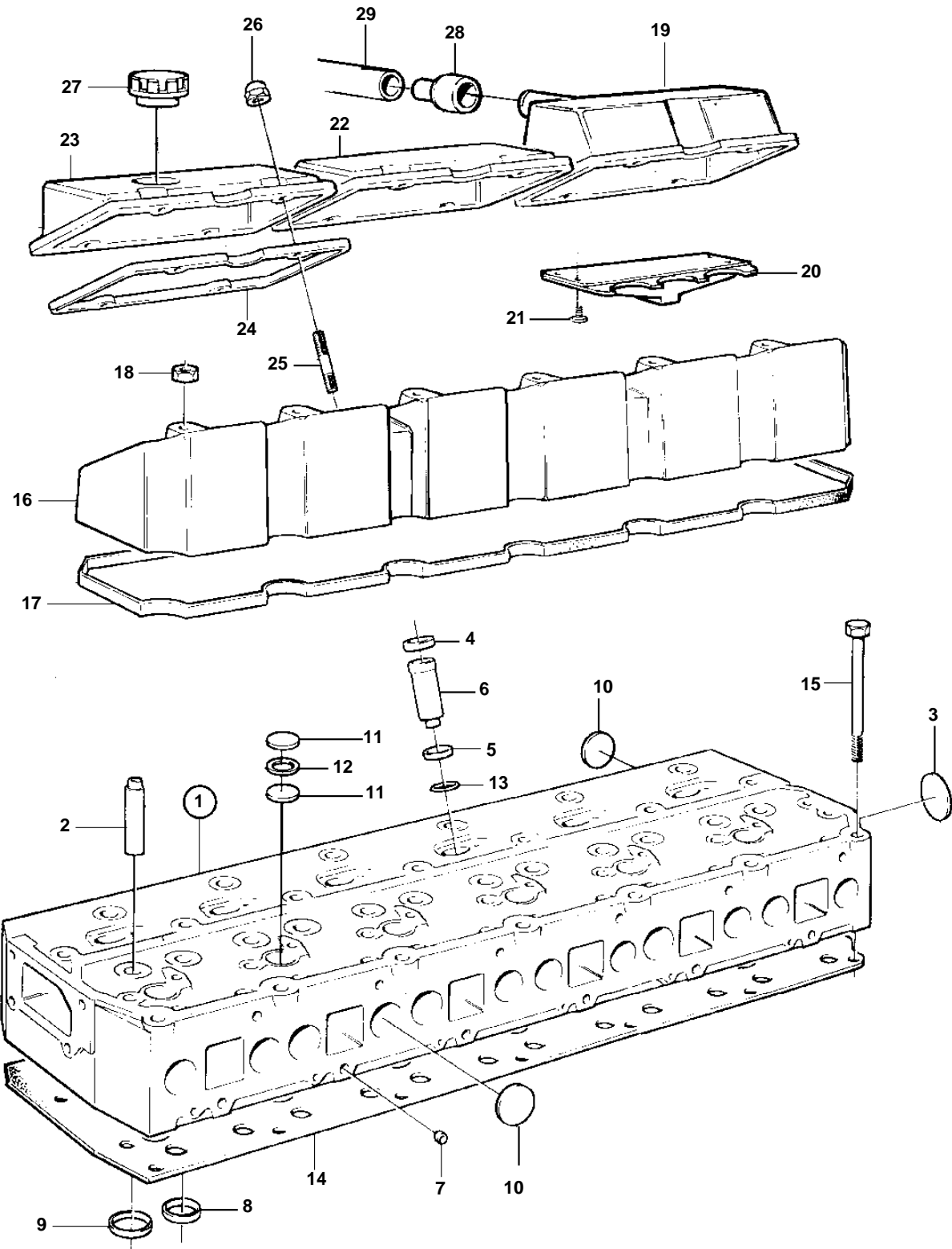


KAMD42P-A, KAD42P-A



16913

KAMD42P-A, KAD42P-A

REF	PART NO.	QTY	DESCRIPTION	SEE SEC.	NOTES
1	861300	1	Cylinder head		
2	419653	12	· Valve guide		
3	968955	1	· Expansion plug		
4	838619	6	· Steel ring		
5	838896	6	· Sealing ring		
6	861255	6	· Spray sleeve		
7	967853	12	· Cap plug		
8	858331	6	· Valve seat		STD
	858332	6	· Valve seat		OVER SIZE 0,20mm
9	860035	6	· Valve seat		STD
	860036	6	· Valve seat		OVER SIZE 0,20mm
10	477026	13	· Expansion plug		
11	967948	12	· Expansion plug		
12	949329	6	· Gasket		
13	838821	6	· O-ring		
14	876853	1	Gasket		
			Bulletin 44-29A	44-29A-EN	Cylinder Head Gasket
15	838775	27	Screw		
16	838649	1	Valve cover		
17	838653	1	Gasket		
18	945408	4	Flange nut		
19	860541	1	Valve cover		
20		1	· Insert		
21		4	· Screw		
22	838650	1	Valve cover		
23	838651	1	Valve cover		
24	838654	3	Gasket		
25	953034	12	Stud		
26	968458	12	Nut		L=380mm
27	3547599	1	Oil filler cap		
28	861114	X	Rubber sleeve		L=280mm
29	946234	X	Pipe		L=280mm