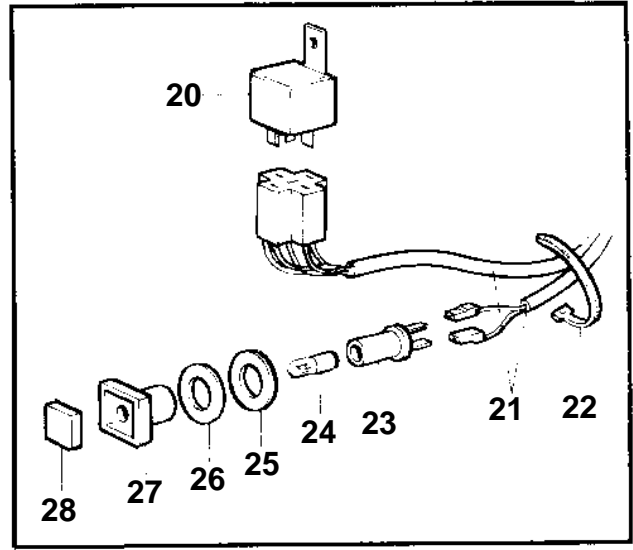
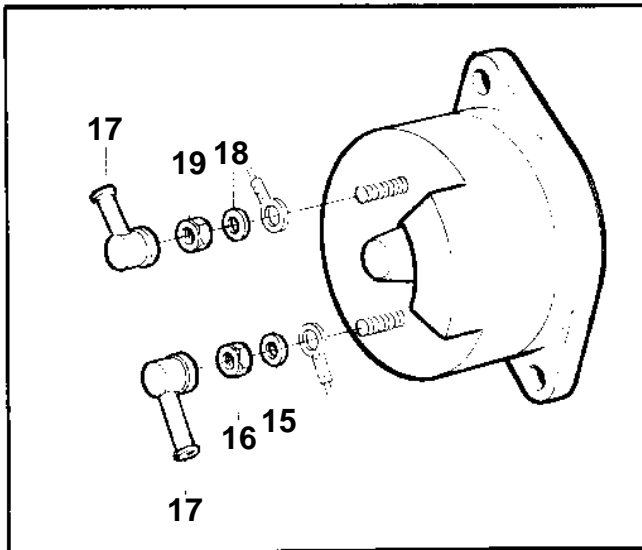
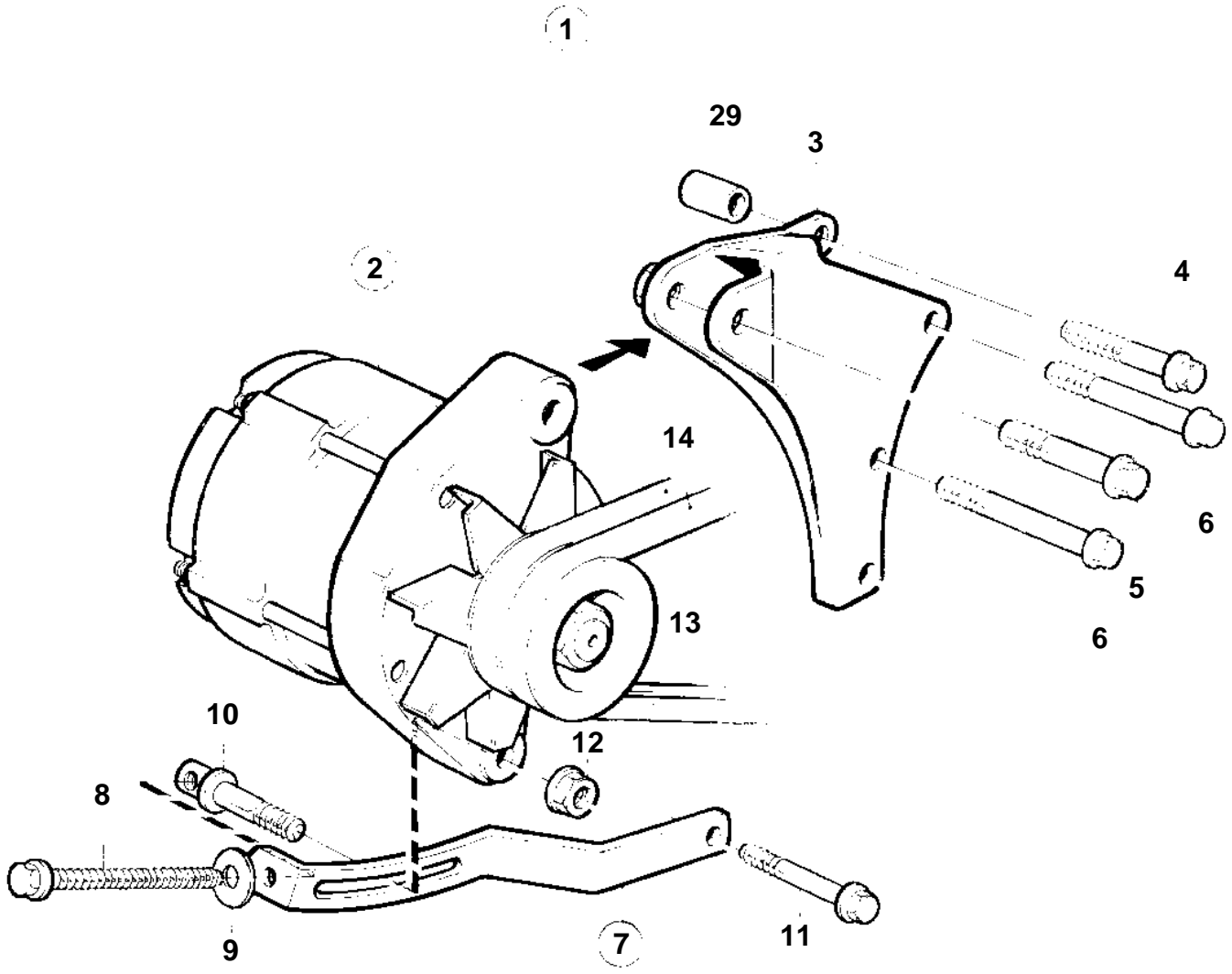


COMMON



## COMMON

REF	PART NO.	QTY	DESCRIPTION	NOTES
1	860705	1	Alternator kit	
2	872018	1	· Alternator	12V 50A. FOR 12 VOLTAGE ELECTRIC SYSTEM.
			· COMPONENTS	SEE GROUP 3
3	860271	1	· Bracket	
4	965179	1	· Flange screw	L = 50 MM
5	955554	1	· Screw	L = 76 MM
6	965182	2	· Flange screw	L = 85 MM
7	860835	1	· Tensioner	
8	1346183	1	· · Screw	
9	955893	1	· · Washer	
10	1378955	1	· · Lock screw	
11	965183	1	· Flange screw	
12	968862	1	· Nut	
13	841812	1	· Pulley	
14	966978	1	· Drive belt set	
15	941906	1	· Spring washer	
16	945407	1	· Flange nut	
17	842150	2	· Protective cap	
18	941905	1	· Spring washer	
19	965483	1	· Nut	
20	853545	1	· Relay kit	
21	838542	1	· Cable trunk	
22	948210	X	· Strip clamp	
23	808175	1	· Bulb socket	
24	19923	1	· Bulb	
25	967583	1	· Retainer	
26	829714	1	· Seal	
27	838455	1	· Retainer	
28	838457	1	· Symbol strip	
29	843075	1	· Sleeve	