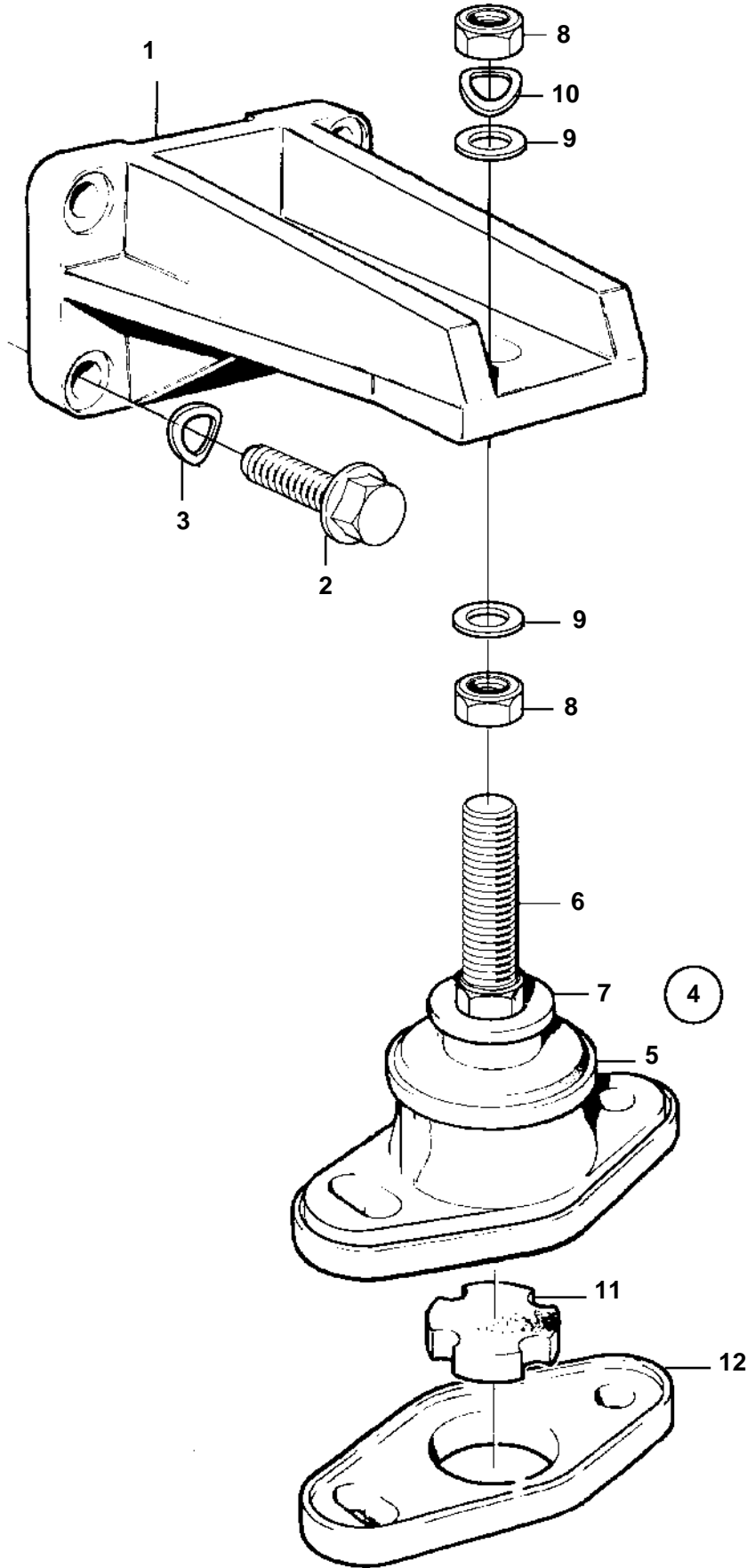


KAD42A



## KAD42A

REF	PART NO.	QTY	DESCRIPTION	SEE SEC.	NOTES
1	860027	2	Engine bracket		WITH HOLE FOR M16 ADJUSTING BOLT
	860953	2	Engine bracket		WITH HOLE FOR M18 ADJUSTING BOLT
2	965192	7	Flange screw		STD L = 40 MM
	965192	6	Flange screw		PS L = 40 MM
	965193	1	Screw		STD L = 50 MM
	965193	1	Screw		PS L = 50 MM
	946473	1	Flange screw		PS L = 90 MM
3	940280	8	Spring washer		
4	859556	2	Rubber element		FOR M16 ADJUSTING BOLT
			Bulletin 44-26	44-26-EN	Reinforced Rubber Cushion
4	876596	2	Rubber element		FOR M18 ADJUSTING BOLT
5	843323	2	• Rubber element		
6	829567	2	• Adjuster screw		M16. INCLUDED IN RUBBER ELEMENT 859556
	860950	2	• Adjuster screw		M18. INCLUDED IN RUBBER ELEMENT 876596
7	843298	2	• Washer		
8	955805	4	• Nut		M16. INCLUDED IN RUBBER ELEMENT 859556
	955806	4	Nut		M18
9	191940	4	• Washer		INCLUDED IN RUBBER ELEMENT 859556. FOR M16 ADJUSTING BOLT
	955901	2	Washer		D = 34 MM. FOR M18 ADJUSTING BOLT
	978991	2	Washer		D = 40 MM. FOR M18 ADJUSTING BOLT
10	941912	2	• Spring washer		INCLUDED IN RUBBER ELEMENT 859556. FOR M16 ADJUSTING BOLT
	941913	2	Spring washer		FOR M18 ADJUSTING BOLT
11	843299	2	• Rubber disc		INCLUDED IN RUBBER ELEMENT 859556
	843299	2	Rubber disc		
12	843286	2	• Base		INCLUDED IN RUBBER ELEMENT 859556