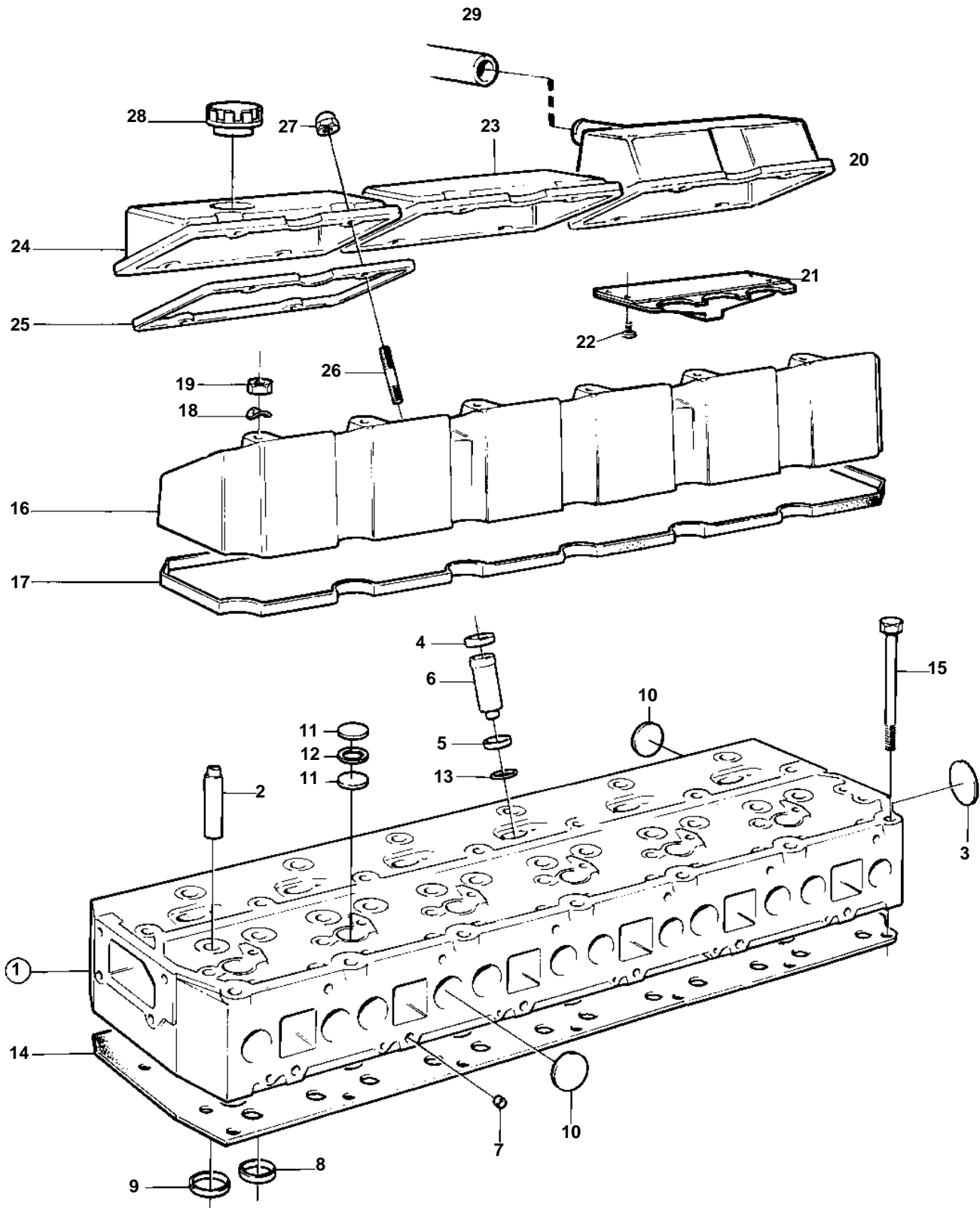


KAMD42A, KAD42A



10612

KAMD42A,KAD42A

REF	PART NO.	QTY	DESCRIPTION	SEE SEC.	NOTES
1	860596	1	Cylinder head		ALSO AVAILABLE AS AN EXCHANGE PART CONSISTING OF CYLINDER HEAD,INTAKE AND EXHAUST VALVES,VALVE SPRINGS,WASHERS AND LOCKS.
2	419653	12	• Valve guide		
3	968955	1	• Expansion plug		
4	838619	6	• Steel ring		
5	838896	6	• Sealing ring		
6	838609	6	• Spray sleeve		SN-2204205411 REPL BY 861255
	861255	6	• Spray sleeve		SN2204205412-
7	967853	12	• Cap plug		
8	858331	6	• Valve seat, EXHAUST		STD D
	858332	6	• Valve seat, EXHAUST		OVER SIZE0,20 MM
9	860035	6	• Valve seat, INLET		STD D
	860036	6	• Valve seat, INLET		OVER SIZE0,20 MM
10	477026	13	• Expansion plug		
11	967948	12	• Expansion plug		
12	949329	6	• Gasket		
13	838821	6	• O-ring		
14	858992	1	Gasket		
			Bulletin 44-29A	44-29A-EN	Cylinder Head Gasket
15	838775	27	Screw		
16	838649	1	Valve cover		
17	838653	1	Gasket		
18	941907	4	Spring washer		EARLY TYPE
19	945408	4	Flange nut		
20	860541	1	Valve cover		
21		1	• INSERT		
22		4	• SCREW		
23	838650	1	Valve cover		
24	838651	1	Valve cover		
25	838654	3	Gasket		
26	953034	12	Stud		
27	968458	12	Nut		
28	3547599	1	Oil filler cap		
29	860680	1	Hose		