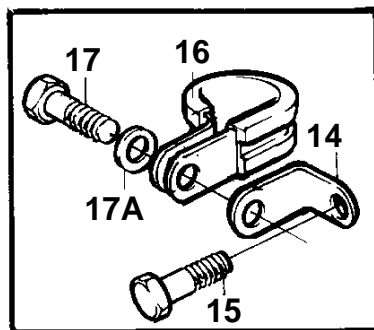
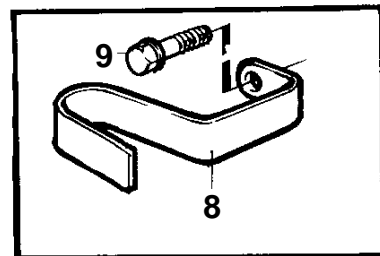
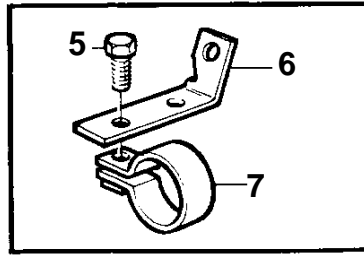
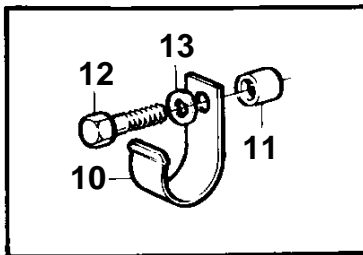
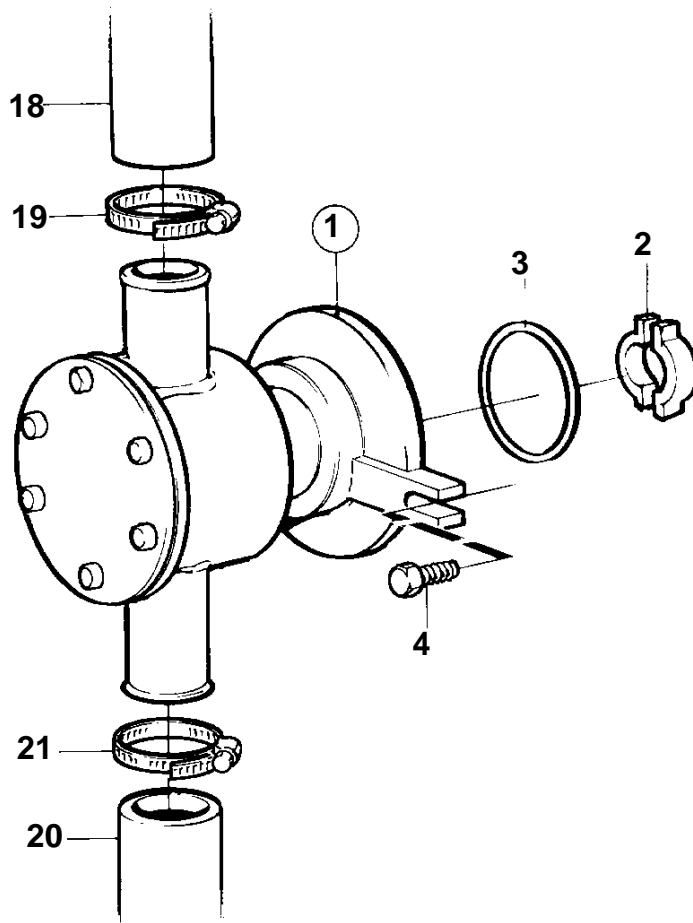


KAMD42A



11480

KAMD42A

REF	PART NO.	QTY	DESCRIPTION	SEE SEC.	NOTES
1	860629	1	Sea water pump		
				02B-1150	
2	858467	1	Companion flange		
3	968971	1	O-ring		
4	946173	2	Flange screw		
5	946671	1	Flange screw		
6	860701	1	Bracket		
7	860700	1	Clamp		
8	861387	1	Bracket		REPLACES EARLIER VERSIONS OF HOSE SUSPENSIONS.
9	947760	1	Flange screw		SEE GROUP 2A
10	857045	2	Clamp		
11	843075	2	Sleeve		
12	945444	2	Flange screw		
13	955894	2	Washer		
14	846780	1	Bracket		REPLACES EARLIER VERSIONS OF HOSE SUSPENSIONS.
15		1	SCREW		SEE GROUP 2A
16	952640	1	Clamp		REPLACES EARLIER VERSIONS OF HOSE SUSPENSIONS.
17	968855	1	Flange screw		REPLACES EARLIER VERSIONS OF HOSE SUSPENSIONS.
17A	955893	1	Washer		
18	860997	1	Hose		(860641). SEA WATER PUMP-OLJEKYLARE
19	943476	1	Hose clamp		
20	860640	1	Hose		REVERSE GEAR-SEA WATER PUMP
21	961669	2	Hose clamp		