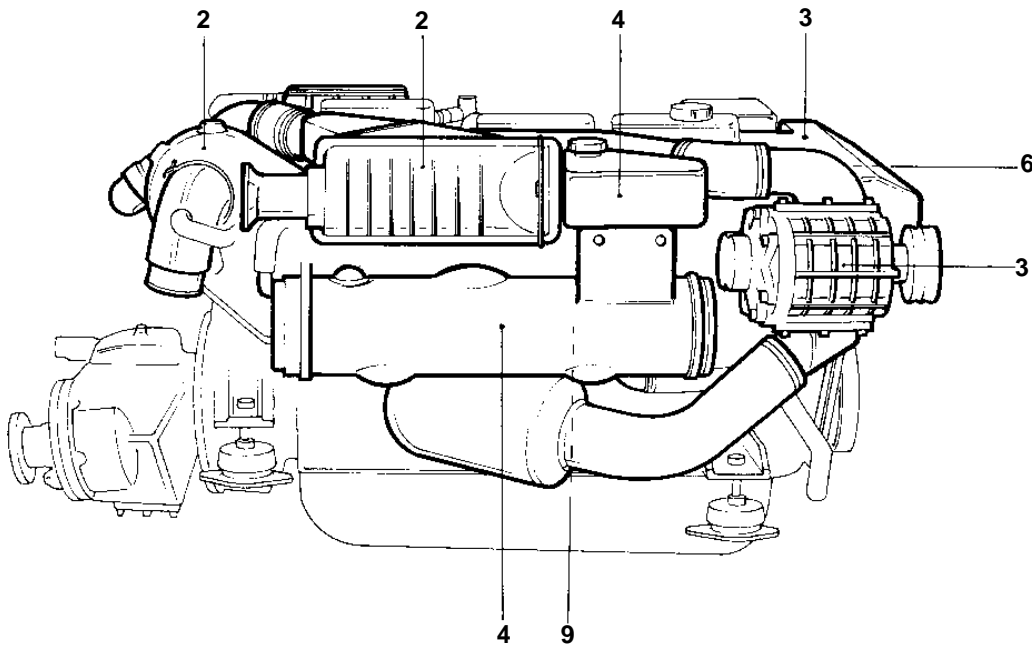
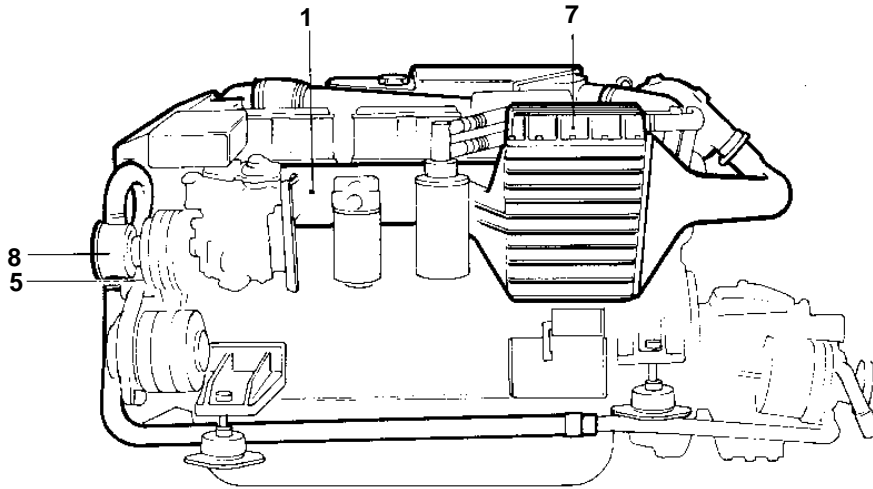


KAMD42A



10697

KAMD42A

REF	QTY	DESCRIPTION	SEE SEC.
1	1	INLET- AND EXHAUST MANIFOLD WITH INSTALLATION COMPONENTS	02B-0300
2	1	TURBO AND AIR FILTER WITH INSTALLATION COMPONENTS	02B-0400
3	1	COMPRESSOR AND BELT PROTECTOR WITH INSTALLATION COMPONENTS	02B-0500
4	1	HEAT EXCHANGER WITH INSTALLATION COMPONENTS	02B-0600
5	1	CIRCULATION PUMP WITH INSTALLATION COMPONENTS	02B-0700
6	1	THERMOSTAT HOUSING WITH INSTALLATION COMPONENTS	02B-0800
7	1	AFTER COOLER WITH INSTALLATION COMPONENTS	02B-0900
8	1	SEA WATER PUMP WITH INSTALLATION COMPONENTS	02B-1000
9	1	OIL COOLER WITH INSTALLATION COMPONENTS	02B-1200