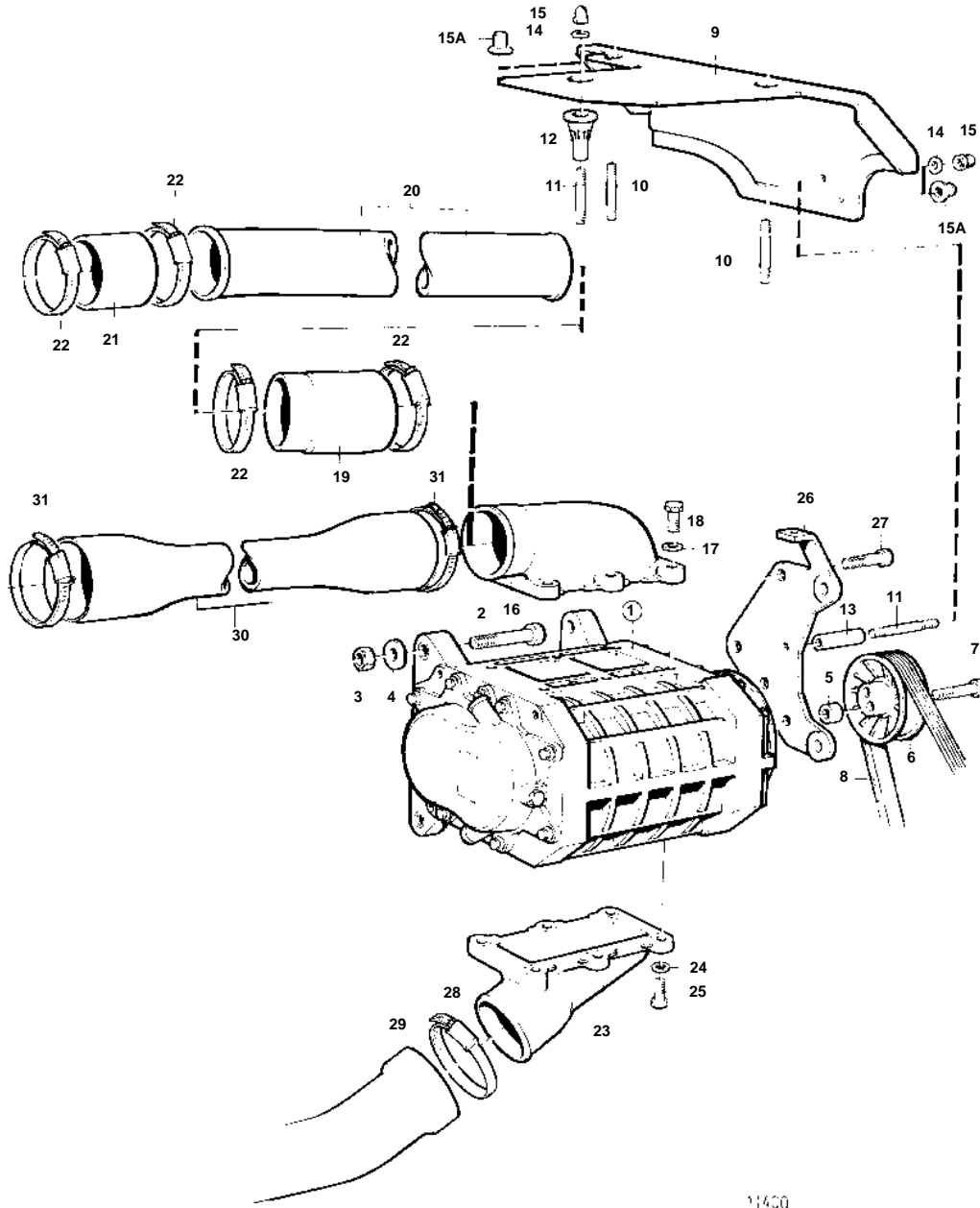


KAMD42A, KAD42A



COMPRESSOR AND BELT PROTECTOR WITH INSTALLATION COMPONENTS

02B

KAMD42A,KAD42A

REF	PART NO.	QTY	DESCRIPTION	SEE SEC.	NOTES
1	860360	1	Compressor		
				02B-0550	
2	965220	4	Flange screw		
3	971098	4	Flange lock nut		
4	960148	4	Washer		
5	849845	1	Sleeve		
6	855507	1	Tension pulley		
7	959245	1	Screw		
8	860388	1	Drive belt	02B-0700	
9	860778	1	Belt protector		
10	953031	2	Stud		
11	968975	2	Stud		
12	860818	1	Spacer		
13	833244	1	Spacer sleeve		
14	955893	4	Washer		EARLY TYPE
15	968458	4	Nut		EARLY TYPE
15A	861019	4	Plug		
16	860398	1	Connection pipe		
17	955893	6	Washer		
18	946934	6	Flange screw		
19	860922	1	Hose		EARLY TYPE
20	860514	1	Tube		EARLY TYPE
21	860515	1	Hose		EARLY TYPE
22	961674	4	Clamp		
23	860400	1	Connection pipe		
24	955893	6	Washer		
25	946934	5	Flange screw		L = 20 MM
	968873	1	Screw		L = 35 MM
26	860371	1	Bracket		
27	946329	3	Flange screw		
28	853012	1	Hose clamp		
29	860389	1	Tube		AIR FILTER-COMPRESSOR
30	861017	1	Hose		LATE TYPE
31	961674	2	Clamp		