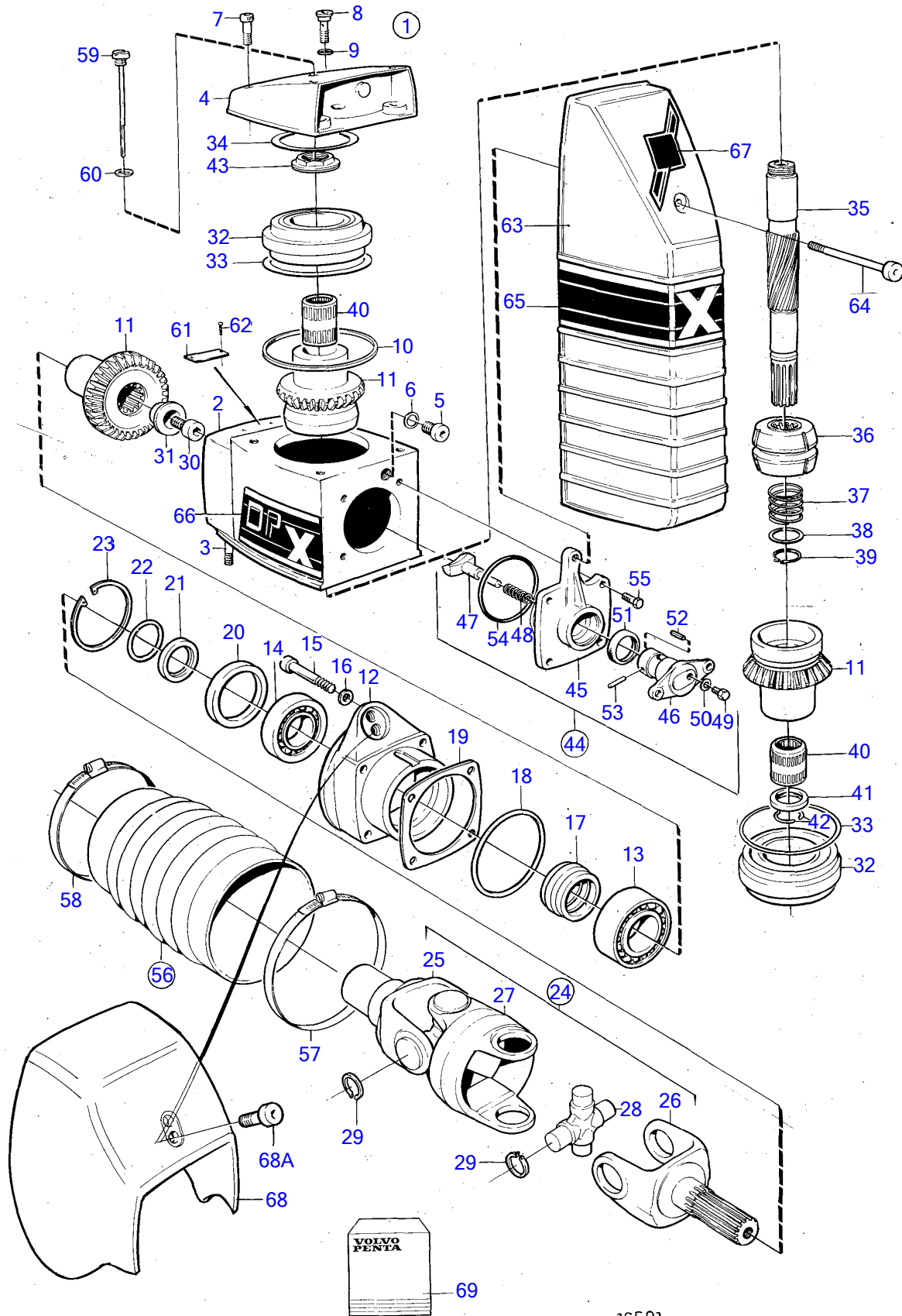


DPX



DPX

REF	PART NO.	QTY	DESCRIPTION	SEE SEC.	NOTES
1	873310	1	Gear		
2	854571	1	• Gear housing		
3	977241	2	• Stud		
4	854677	1	• Cardboard tube		
5	814179	1	• Plug		
6	897682	1	• Gasket		Included in gasket kit.
7	941807	3	• Hex. socket screw		
8	814643	1	• Hollow screw		
9	955989	1	• O-ring		Included in gasket kit.
10	832669	1	• Gasket		Included in gasket kit.
11	873313	1	• Gear		
12	854025	1	• Bearing box		
13	853949	1	• Roller bearing		
14	183247	1	• Roller bearing		
15	956591	4	• Hex. socket screw		
16	942598	4	• Washer		
17	853484	1	• Pretensioning sleeve		
18	925095	1	• O-ring		Included in gasket kit.
19	853034	X	• Shim		TH=0.10mm
	853035	X	• Shim		TH=0.15mm
	853036	X	• Shim		TH=0.35mm
20	839253	1	• Sealing ring		Included in gasket kit.
21	832675	1	• Washer		
22	956000	1	• O-ring		
23	914538	1	• Snap ring		Included in gasket kit.
24	854615	1	• Universal joint		
			• Bulletin P-44-1-5	P-44-1-5-EN	U-joints
25	854616	1	• • Fork		
26	854617	1	• • Fork		
27	854618	1	• • Intermediate section		
28	854619	2	• • Spider		
29	24383	8	• • Lock ring		
30	3852309	1	• Screw		(854201)
31	853026	1	• Washer		
32	854670	2	• Ball bearing		
33	943869	X	• Shim		TH=0.05mm
	946179	X	• Shim		TH=0.10mm
	943870	X	• Shim		TH=0,20mm
34	941826	X	• Shim		TH=0.05mm
	941827	X	• Shim		TH=0,20mm
	948230	X	• Shim		TH=0.35mm
35	3852292	1	• Spindle		(853916)
36	873312	1	• Sliding sleeve		
			• Bulletin P-44-1-8	P-44-1-8-EN	Shift mechanism, shift cone and shoe
			• Bulletin P-44-1-18	P-44-1-18-EN	Shift Cone
37	813970	1	• Spring		
38	854126	1	• Washer		
39	951078	1	• Snap ring		
40	3852390	2	• Bearing		(853819)
41	854192	1	• Spacer ring		
42	853888	1	• Lock ring		
43	854228	1	• Nut		0.0mm
	854229	1	• Nut		0.2mm
	854230	1	• Nut		0.4mm
	854265	1	• Nut		0.6mm
44		1	• Shift mechanism		
45	872993	1	• • Bearing housing		
46	897816	1	• • Eccentric piston		
			• Bulletin P-44-1-7	P-44-1-7-EN	Shift mechanism, eccentric piston
47	814603	1	• • Dog		
48	814184	1	• • Spring		Obsolete part
49	897711	1	• • Screw		
50	897871	X	• • Shim		

7734180-44-620

16581

Upd:2012-01-30

KAD42P-A, KAMD42P-A, DPX, HS1A, DP-D1, DP-E, DP-G

VOLVO
PENTA

DPX

REF	PART NO.	QTY	DESCRIPTION	SEE SEC.	NOTES
51	853868	1	• • Sealing ring		Included in gasket kit.
52	951924	1	• • Spring pin		
53	942871	1	• • Clevis pin		
54	925093	1	• • O-ring		Included in gasket kit.
55	940169	4	• Hexagon screw		
56	876294	1	• Bellows kit		
			• Bulletin P-44-1-11	P-44-1-11-EN	DPH/DPR U-Joint Bellows
57	853013	1	• • Hose clamp		
58	853012	1	• • Hose clamp		
59	839351	1	• Oil dipstick		
60	955974	1	• O-ring		
61	853706	1	• Type plate		
62	804269	2	• Drive screw		
63	872957	1	Cover		Included in complete drive.
64	959427	1	Hex. socket screw		Included in complete drive.
65	(872344)	1	Decal		Included in complete drive., Obsolete part
66	872343	1	Decal		Included in complete drive., P
	(872342)	1	Decal		S.B, Obsolete part
67	854144	1	Sign		Included in complete drive.
68	872759	1	Protecting casing		Included in complete drive.
68A	941807	2	Hex. socket screw		
69	876266	1	Gasket kit, upper gear		See group 99