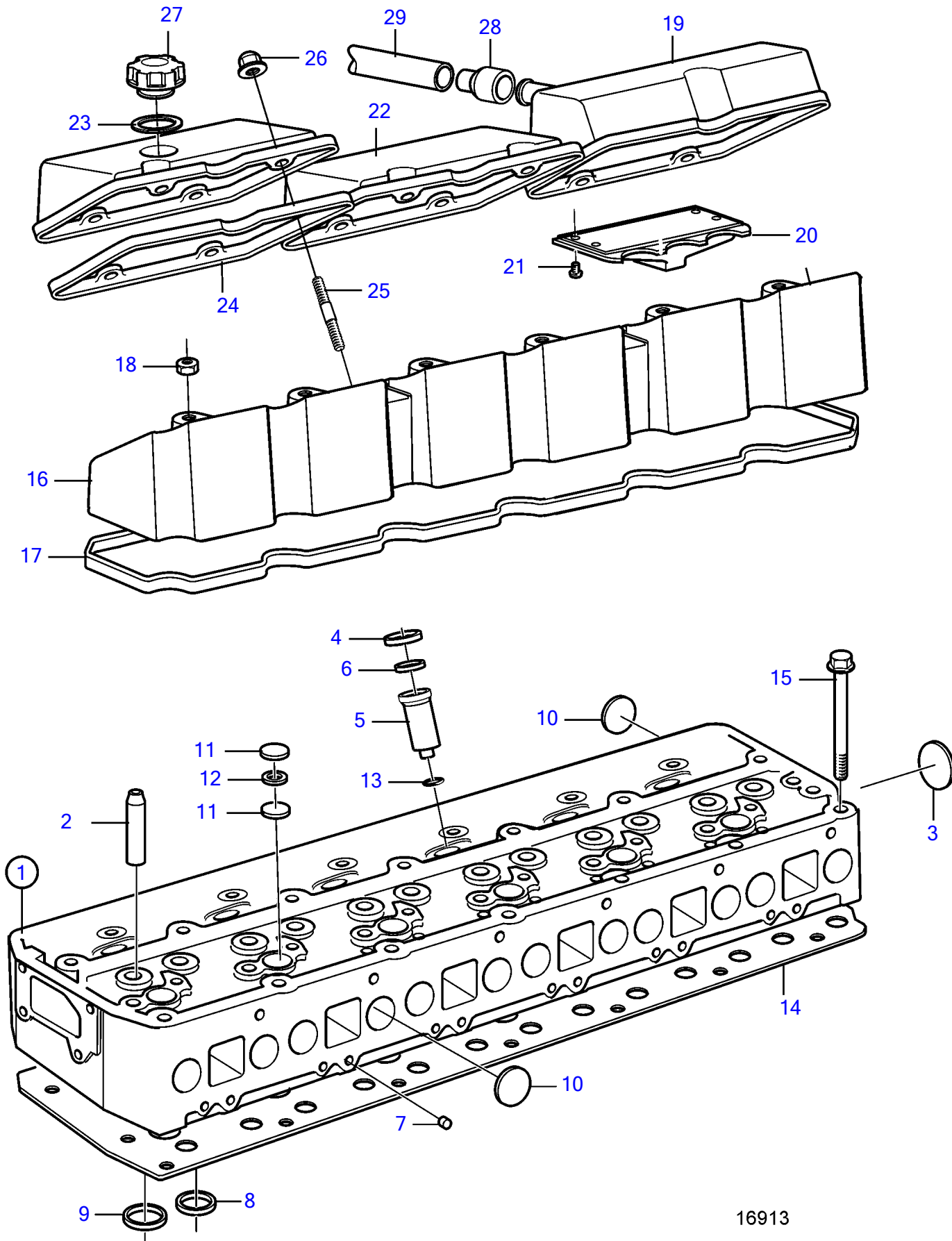


KAD42P-A, KAMD42P-A



16913

KAD42P-A, KAMD42P-A

REF	PART NO.	QTY	DESCRIPTION	NOTES
1	3803308	1	Cylinder head	(861300)
2	419653	12	• Valve guide	
3	968955	1	• Expansion plug	
4	838619	6	• Retainer	
5	861255	6	• Spray sleeve	
6	838896	6	• Sealing ring	
7	967853	12	• Cap plug	
8	858331	6	• Valve seat	Std
	858332	6	• Valve seat	Over size 0,20mm
9	860035	6	• Valve seat	Std
	860036	6	• Valve seat	Over size 0,20mm
10	477026	13	• Expansion plug	
11	967948	12	• Expansion plug	
12	949329	6	• Gasket	
13	838821	6	• O-ring	
14	3583786	1	Cylinder head gasket	
15	838775	27	Flange screw	
16	838649	1	Valve cover	
17	838653	1	Gasket	
18	945408	4	Flange nut	
19	860541	1	Valve cover	Replaced by 860542, 860601 & 977771
	860542	1	• Valve cover	
20	860601	1	• Insert	
21	977771	4	• Flange screw	
22	838650	1	Valve cover	
23	838651	1	Valve cover	
24	838654	3	Gasket	
25	953034	12	Stud	
26	968458	12	Flange cap nut	L=380mm
27	1275403	1	Oil filler cap	
	1275379	1	Gasket	
28	861114	X	Protecting sleeve	L=280mm
29	946234	X	Tube	L=280mm