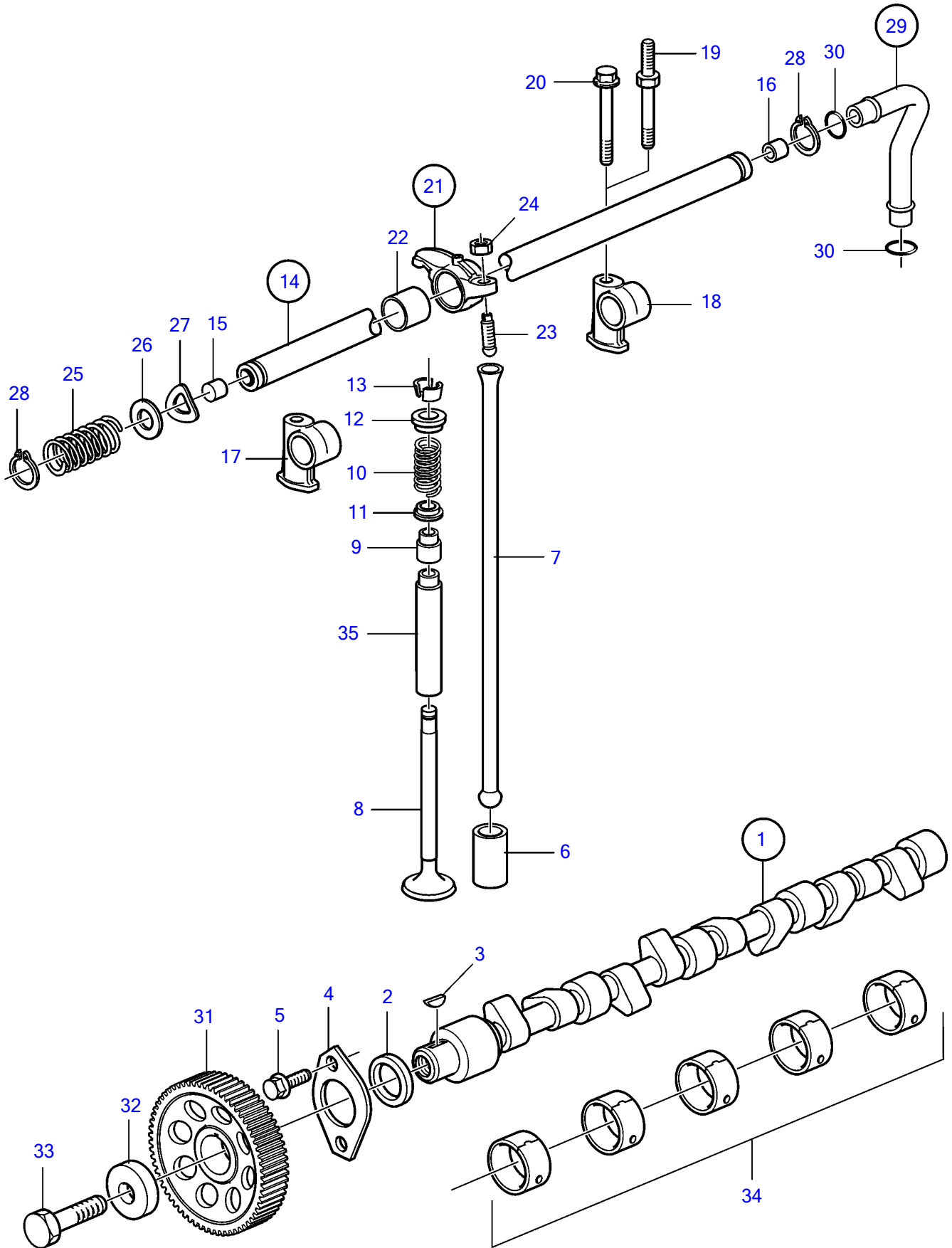


KAD42P-A, KAMD42P-A



KAD42P-A, KAMD42P-A

REF	PART NO.	QTY	DESCRIPTION	NOTES
1	3817142	1	Camshaft	(3583266)
2	1542221	1	• Spacer washer	
3	910116	1	• Woodruff key	
4	838992	1	Thrust washer	
5	946440	2	Flange screw	
6	1542208	12	Valve tappet	
7	838636	12	Push rod	
8	838638	6	Exhaust valve, exhaust	
	838637	6	Inlet valve, intake	
9	859171	12	Valve stem seal	
10	1545198	12	Valve spring	
11	1332137	12	Valve spring washer	
12	838639	12	Washer	
13	1677875	24	Valve collet	
14	838643	1	Rocker arm shaft	
15	955083	1	• Cap plug	
16	840444	1	• Sleeve	
17	838726	1	Adapter	
18	838647	5	Bearing bracket	
19	838732	4	Stud	
20	965188	2	Flange screw	
21	3581128	6	Rocker arm, exhaust	No 1,3,5,7,9,11
	3581129	6	Rocker arm, intake	No 2,4,6,8,10,12
22	418297	12	• Bushing	
23	3581121	12	• Ball stud	
24	921781	12	• Hexagon nut	
25	411139	5	Compression spring	
26	840686	2	Spring washer	
27	400722	2	Shim	
28	914456	2	Snap ring	
29	860686	1	Tube	
30	969198	2	• O-ring	
31	1542034	1	Gear	
32	1542223	1	Washer	
33	965193	1	Flange screw	
34	1542067	7	Camshaft bushing	
35	3582561	12	Valve guide	

7734180-21-1674

18175

Upd:2012-01-30

KAD42P-A, KAMD42P-A, DPX, HS1A, DP-D1, DP-E, DP-G

**VOLVO**  
**PENTA**